

**Argo**  
**6x6 CONQUEST**



# **ARGO**

## **CONQUEST 6x6 PARTS MANUAL**

From Serial # ...14916

# Foreword

ODG has prepared this parts manual for the CONQUEST 6x6 model to assist both qualified mechanics and vehicle owners in ordering correct, quality replacement ARGO parts.

Proper and regular service, and replacing old, worn or broken parts with the correct ARGO replacement parts, are both essential to prolonging the life of the ARGO. Please refer to this parts manual before ordering any replacement part.

All information contained in this CONQUEST 6x6 Parts Manual is based on the latest product specification available at time of printing. If your CONQUEST 6x6 differs from the specifications contained in this manual, contact Ontario Drive & Gear Limited for information.

ODG reserves the right to alter specifications on the CONQUEST 6x6 model at any time, without obligation or prior notification.

Reproduction of this CONQUEST 6x6 Parts Manual, in whole or in part, is prohibited without prior written permission from Ontario Drive & Gear Limited.

## Vehicle Identification

**CONQUEST 6x6** - Serial Nos. A14916

## Explanation of Parts Manual Format

<b>Ref</b>	- Reference number between assembly diagram and component parts list
<b>Part No.</b>	- Argo replacement part number for identification and re-ordering
<b>Description</b>	- Part description for identification and re-ordering
<b>Qty</b>	- Indicates the quantity of a part used in an Assembly

# Argo 6x6 CONQUEST

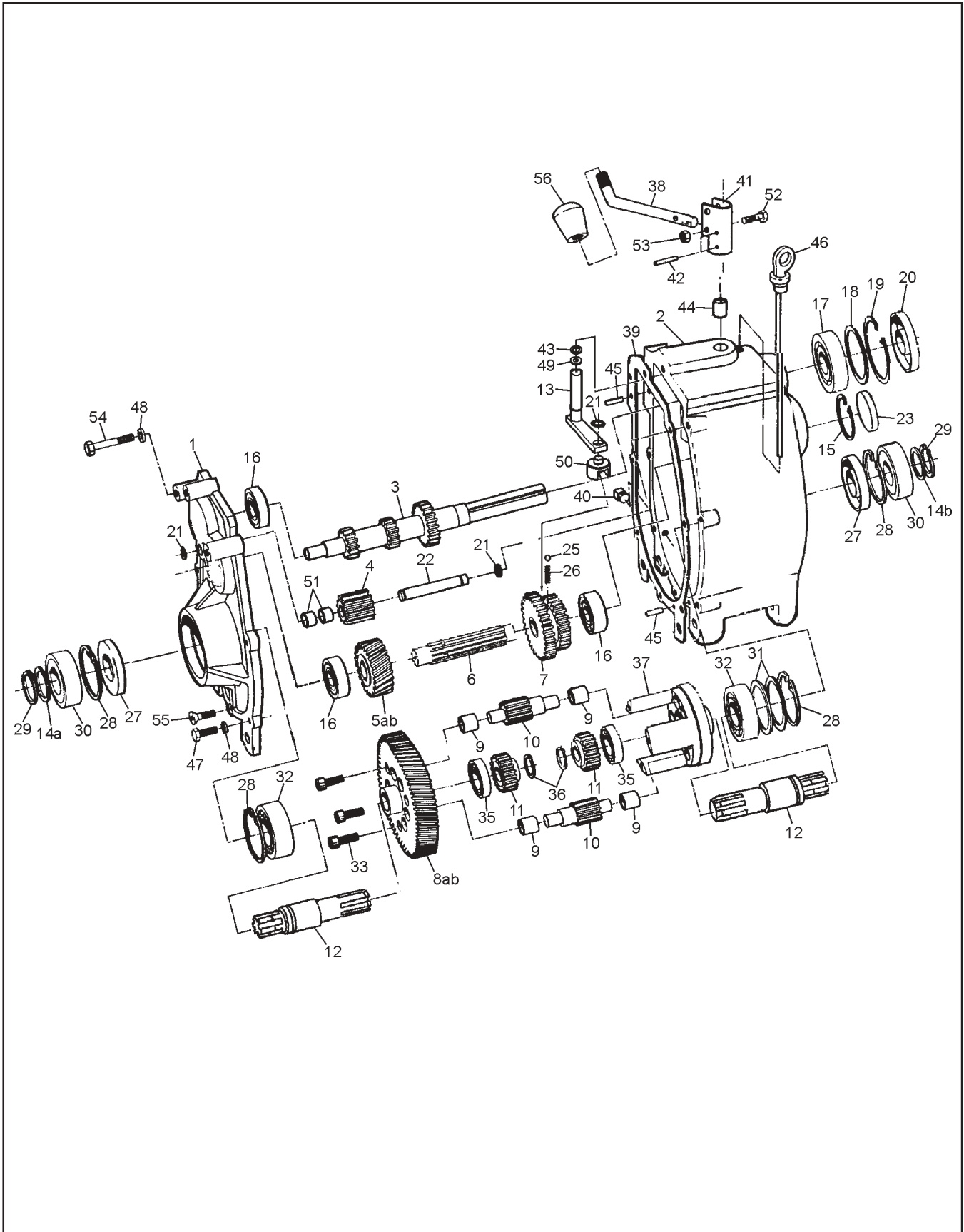


## Using the Parts Manual

1. Find the major vehicle assembly in the Table of Contents on this page, and turn to that section.
2. Locate the part in the illustration that you wish to order.
3. Refer to the parts list in that section.
4. Find the correct part number (Part No.), part description (Description) and correct quantity (Qty).
5. Use *only* this information to order ARGO replacement parts. *DO NOT* attempt to order a replacement part by reference number or page number.

## Table of Contents

Foreword .....	i
Model Identification .....	i
Using the Parts Manual .....	ii
1.0 Transmission .....	1
2.0 Intake and Exhaust System .....	3
3.0 Clutch System .....	5
4.0 Power Pack Assembly .....	7
5.0 Steering & Brake System .....	9
6.0 Vehicle Body & Firewall .....	11
7.0 Frame & Drive System .....	13
8.0 Fuel & Seat System .....	15
9.0 Roll Bar System .....	17
10.0 Alternator Kit .....	18
11.0 Electrical System .....	19

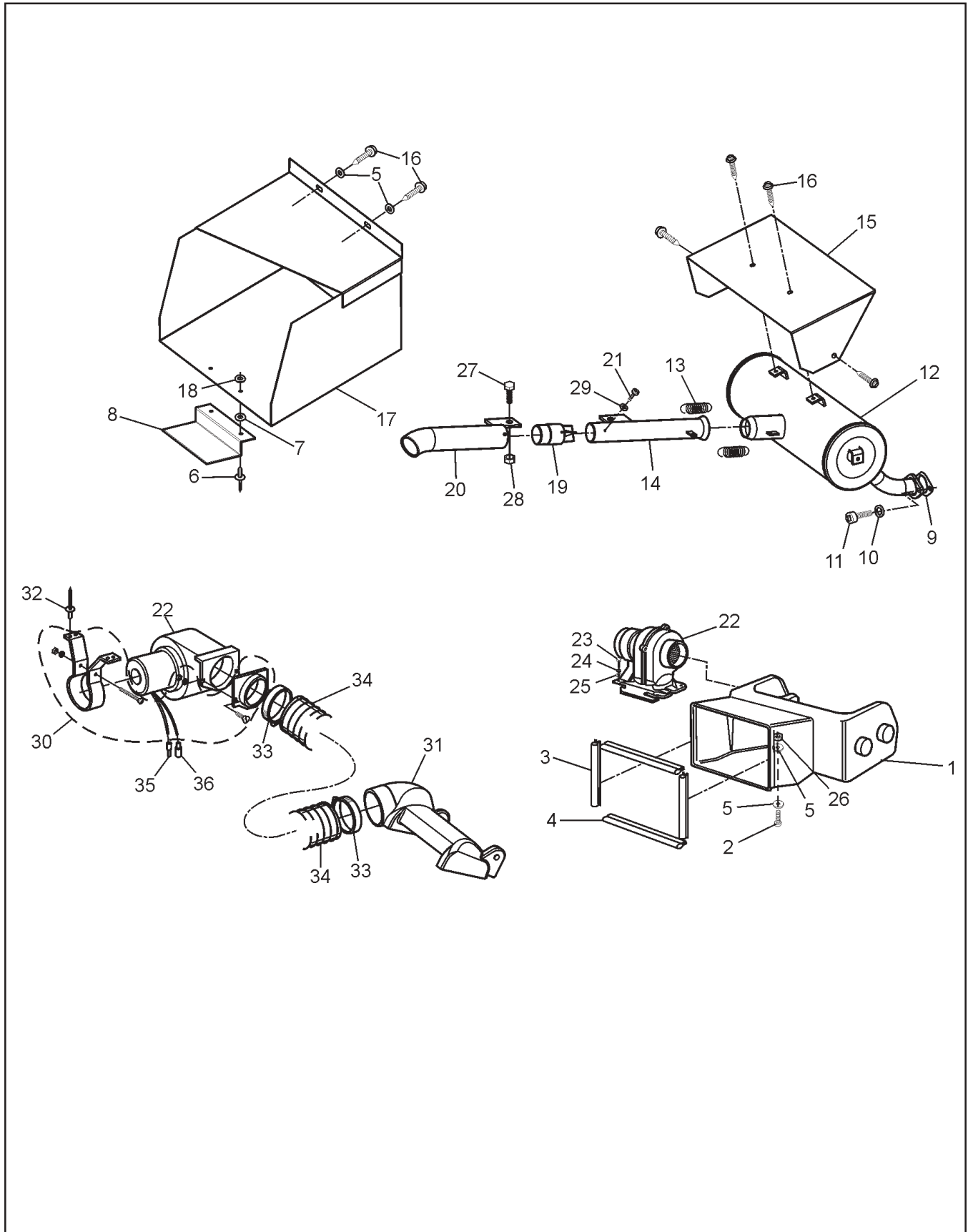


# Conquest 6x6 Parts Manual

# 1.0 Transmission

Ref.	Qty.	Part #	Description
		610-18M	Transmission Asm - M, does not include Refs 38,52,53 & 56, uses Refs 5a & 8a
		610-18G	Transmission Asm - G, does not include Refs 38,52,53 & 56, uses Refs 5b & 8b
1	1	34-68	Cover, Transmission
2	1	34-99	Housing, Transmission
3	1	34-21	Shaft, Input - 13/21T
4	1	34-16A	Gear, Idler - 13T (incl. Ref 51)
5a	1	34-95	Gear, Helical - 24T - M
5b	1	34-97	Gear, Helical - 21T - G
6	1	34-94	Shaft, Spline
7	1	34-91	Gear, Double - 26/33T
8a	1	34-22	Gear Plate - 73T - M
8b	1	34-45	Gear Plate - 76T - G
9	12	105-03	Bushing, Oilite - ½ x 3/4
10	6	34-13	Gear, Planet - 12T
11	2	34-14	Gear, Sun - 21T
12	2	34-98	Shaft, Output
13	1	34-65	Shifter Asm.
14a	1	114-04	Washer, Shim .040 Thk
14b	1	114-05	Washer, Shim .020 Thk
15	1	106-01	Retaining Ring
16	3	101-01	Bearing, Ball 6204Z-C3
17	1	101-16	Bearing, Ball 6206-C3
18	as req.	114-02	Washer, Shim 2.06x2.42x.02
19	1	106-05	Retaining Ring
20	1	102-05	Seal, Oil WBS 30x62x10
21	3	107-05	Retaining Ring
22	1	34-11	Pin, Dowel ½ x 3.50
23	1	31-07	Plug Plate
25	1	109-05	Ball, Steel 6mm 62-67 Rc
26	1	34-32	Spring, Compression - 7/32x.50
27	2	102-03	Seal, Oil WBS 30x72x10
28	4	106-03	Retaining Ring
29	2	107-02	Retaining Ring
30	2	101-05	Bearing, Ball 6306-2NSE C3
31	2	114-01	Washer, Shim 2.25x2.81x.02
32	2	101-03	Bearing, Ball 6207-C3
33	3	103-04	SHCS 5/16-18x1.0 Bare
35	2	101-15	Bearing, Ball 6005-C3
36	2	107-04	Retaining Ring
37	1	34-08	Cage
38	1	610-77	Lever, Shift
39	1	34-47	Gasket, Cover - 1/64" Thk
40	1	103-02	Plug, Magnetic 3/8-18 NPT
41	1	34-86	Holder, Shift Lever
42	2	111-01	Pin, Spring 5/32x1.0
43	1	113-01	O-Ring
44	1	105-02	Bushing, Oilite - ½ x 1.0
45	2	104-03	Pin, Dowel 1/4 x 7/8
46	1	34-77	Dipstick, with breather
47	4	103-06	HHCS 5/16-18x1.0 GR5 Zn
48	7	108-05	Lockwasher 5/16
49	1	108-74	Washer .64 x .875 x .10 Zn
50	1	34-63	Shift Yoke
51	2	101-79	Bearing, Drawn Cup Needle
52	1	103-97	HHCS 1/4-20x1.25 GR5 Zn
53	1	117-27	Locknut, Nylon 1/4-20 Zn
54			<b>See Section 4.0 Power Pack Assembly</b>
55	1	103-95	FHSC 5/16-18x1.0 GR8 Zn
56	1	126-38	Knob, Shift

## 2.0 Intake and Exhaust System Conquest 6x6 Parts Manual

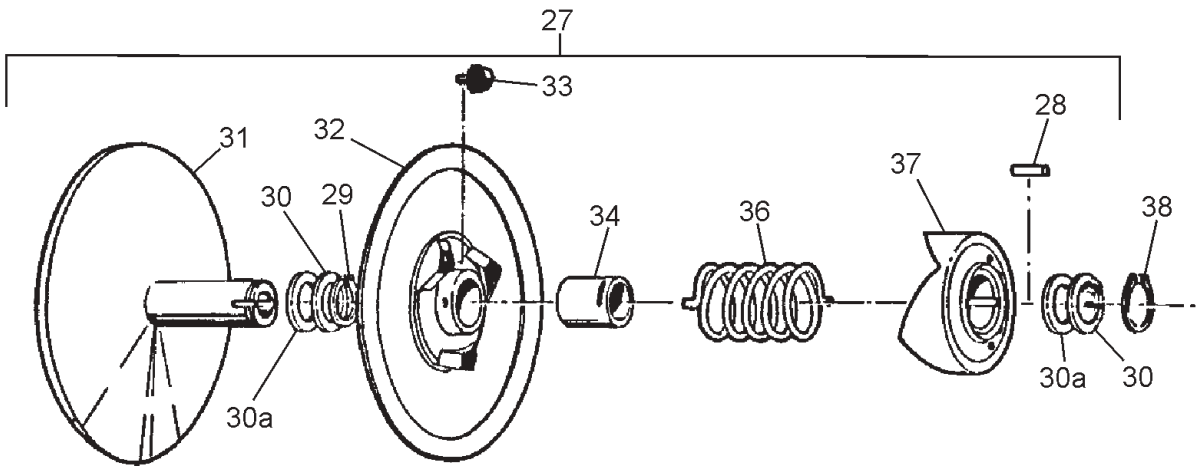
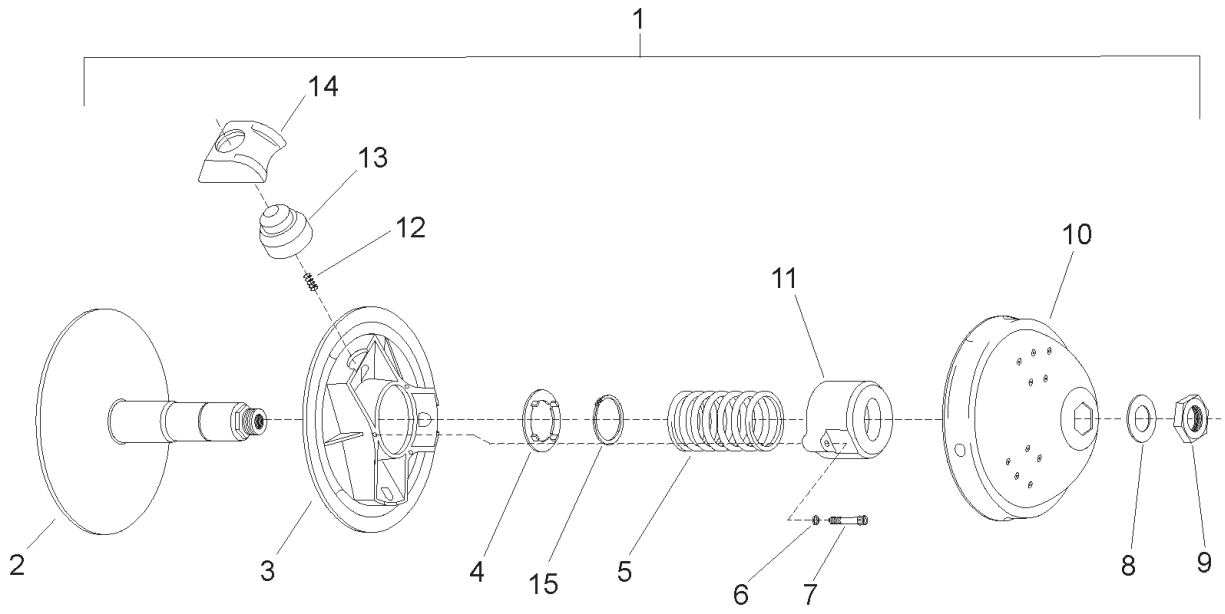


# Conquest 6x6 Parts Manual 2.0 Intake and Exhaust System

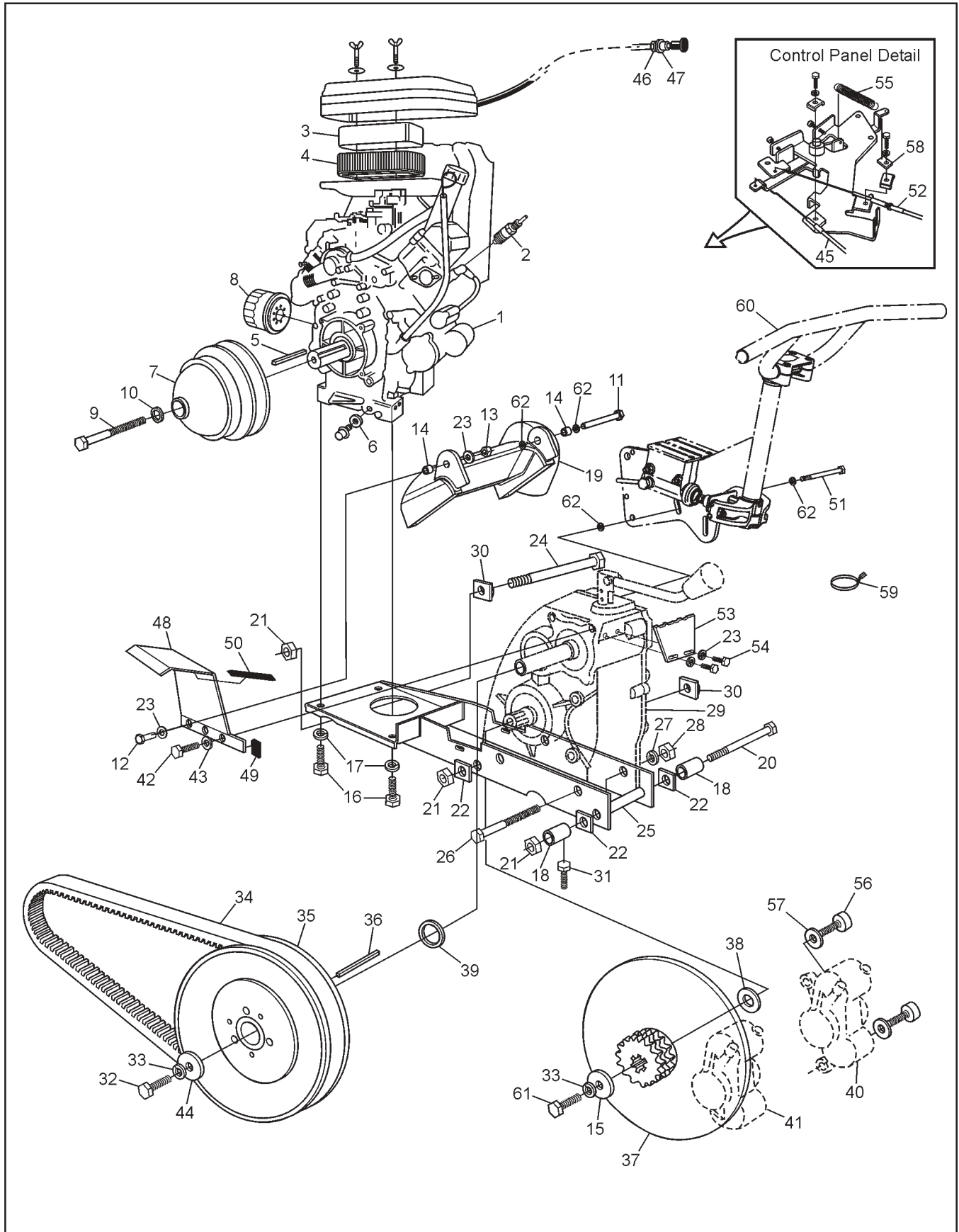
Ref.	Qty.	Part #	Description
1	1	807-76	Duct, Intake
2	2	103-63	PHMS, PHIL 1/4-20 x 1.0 Zn
3	2	807-78	Seal, Radiator - 9.75" LG
4	2	807-77	Seal, Radiator - 11.5" LG
5	6	108-01	Washer, Fender 1/4 B x 1.25 OD
6	2	120-13	Rivet 3/16 x 5/8 - Black
7	2	125-58	Washer, Fibre - W-77F
8	1	707-28	Support, Exhaust Duct
9	2	11060-2079	Gasket
10	4	108-02	Lockwasher 5/16 Hi-Collar Bare
11	4	112-30	SHCS M8 x1,25 x 20mm Zn
12	1	807-95	Muffler, Kawasaki V-Twin
13	2	126-57	Spring, Extension- 7/16 x2.14
14	1	807-97	Pipe, Muffler Tail - Kawasaki
15	1	807-94	Shield, Heat - Kawi Muffler
16	6	112-19	Screw, IHWH T/C Slot 1/4-20 x 1/2
17	1	807-96	Duct, Exhaust - Kawasaki
18	2	120-04	Washer .19x.50x.08 Zn
19	1	807-67	Spark Arrester
20	1	807-89	Tube, Tailpipe Outlet
21	1	112-43	Screw IHWH #8 x 3/8
22	1	125-91	Blower Fan
23	4	103-47	HHCS, #10-24 x 1/2
24	4	120-05	Washer, .19 x .50 x .04
25	4	108-59	Lockwasher #10 Int. Tooth
26	2	117-27	Locknut, Nylon 1/4-20 Zn
27	1	112-04	HHCS 1/4-20 x 3/4 Gr2 Zn
28	1	117-81	Locknut, 2-way 1/4-20 Zn
29	1	108-77	Lockwasher, #8 External Tooth
30		125-92	Adpt. & Mounting Kit - includes the following:
	1		Mounting Bracket
	1		Nut, #10-32
	1		Lockwasher, 3/16"
	1		Screw, #10-32 x 2"
	2		Nut, 1/4-20
	2		Lockwasher, 1/4"
	2		Screw, 1/4-20 x 5/8"
	1		Adaptor, 3" dia.
31	1	128-01	Brake Cool Air Duct
32			Rivet
33	2	125-35	Clamp, Gear 3.50" HF-52
34	1	127-06	Hose, Intake - 3" dia. x 29"
35	1	118-02	Terminal, Male #76-1251
36	1	118-03	Terminal, Female #76-1289

# 3.0 Clutch System

# Conquest 6x6 Parts Manual



Ref.	Qty.	Part #	Description
1	1	127-71	Clutch, Driver - Keyed (incl. Refs 2 to 14)
2	1	0405-0044	Pulley, Half - Fixed
3	1	0410-0006	Pulley, Half - Sliding
4	1	V09	Plate, Spring Guide
5	1	V10-48-103-18	Spring
6	3	420-2453-700	Lockwasher
7	3	222-9640-66	SHCS
8	1	0080-0153	Washer, Zc
9	1	0080-0100	Nut
10	1	0115-0003(A)	Cap
11	1	0440-0001	Cover, Spring
12	3	C24-L1	Spring, Anti-noise
13	3	C13-266T	Weight, 260g
14	3	0130-3002	Block, Red
15	1	V08C	Retaining Ring
27	1	127-129	Clutch, Driven - Model "B" (incl. Refs 28 to 37)
28	1	ASK-5	Key 1/4x1/4x5/8
29	1	ASR-6	Retaining Ring
30	as req	ASA-1-S	Spacer .025" Thick
30a	as req	ASA-1	Spacer .050" Thick
31	1	AFK25.4-250OD01	Pulley, Half - Fixed
32	1	AMC-2-250OD01	Pulley, Half -Sliding incl. Refs. 33, 34 & 35
33	3	ANS-2-T	Shoe, Cam
34	1	AMB-2	Bushing, Bronze
35	1	111-01	Pin, Spring 5/32x1.0
36	1	ACS-3-188	Spring, Blue
37	1	AFC-4-C3D4	Cam
38	1	371-9031-0	Retaining Ring



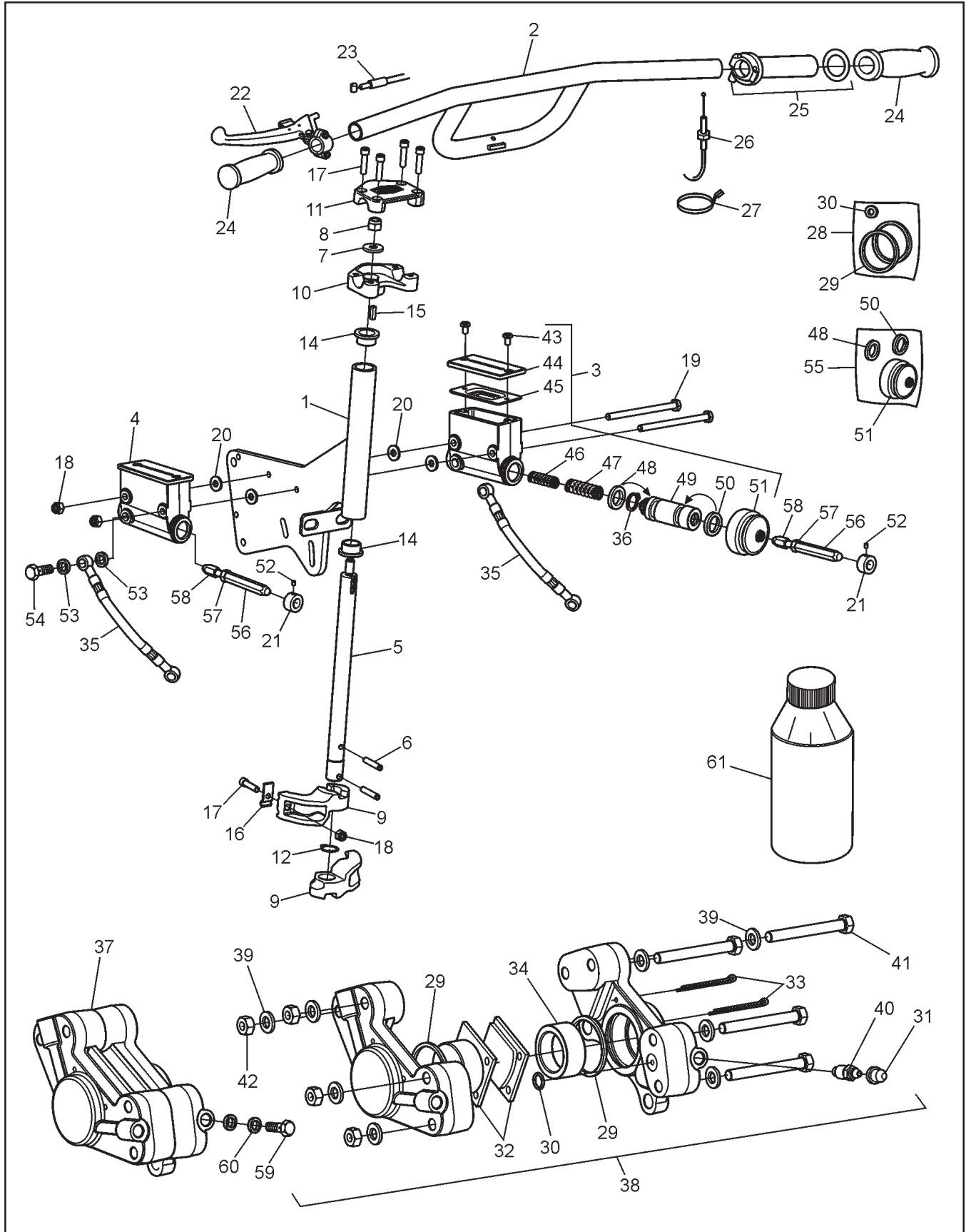
# Conquest 6x6 Parts Manual

# 4.0 Power Pack Assembly

Ref.	Qty.	Part #	Description	Ref.	Qty.	Part #	Description
1	1	FD620D-JS12	Engine - Kawasaki, (incl. Refs. 2, 3, 4, 6, 8, 41)	36	1	110-09	Key 1/4x1/4x3.0
2	2	92070-2112	Sparkplug, BPR4ES	37	2	610-80	Brake Disc #50-2x13T
3	1	11013-2114	Element, Air Filter - Foam	38	as req	108-75	Washer, Shim 1"idx.5x.010
4	1	11013-2139	Element, Air Filter - Paper	39	as req	108-36	Washer 1.03x1.37x.06 Zn
5	1	110-13	Key 1/4x1/4x2.25	40 to 41			<b>See Section 5.0 Steering &amp; Brake System</b>
6	1	11009-2566	Gasket, Drain Plug	42	2	103-17	HHCS 3/8-16x1.0 Gr5 Zn
7			<b>See Section 3.0 Clutch System</b>	43	2	108-26	Washer 3/8 Zn
8	1	127-68	Filter, Oil	44	1	108-46	Washer .40x1.37x.12 Hi-Carbon
9	1	112-15	SHCS M10x1,5x90mm	45	1	812-29	Cable Asm, Choke - Conq.
10	1	108-54	Lockwasher, Hi-Collar -M10	46	1	117-68	Nut, Jam 3/8-24 UNF Zn
11	1	112-132	HHCS 5/16-18x3.25 Gr5 Zn	47	1	108-32	Lockwasher 3/8 Int. Tooth
12	1	103-38	HHCS 5/16-18x1.25 Gr5 Zn	48	1	603-29	Guard, Belt Protect
13	1	117-21	Locknut, Nylon 5/16-18 Zn	49	1	601-92	Vinyl Trim - 1.5"
14	2	108-71	Spacer-5/16 IDx7/16 OD x 13/32 Lg	50	1	601-93	Vinyl Trim - 4.25"
15	2	108-18	Washer .40x1.37x.12 Zn	51	2	103-55	HHCS 5/16-18x2.75 Gr5 Zn
16	4	112-30	SHCS M8x1,25x20mm Zn	52	1	612-101	Cable Asm, Throttle
17	4	108-05	Lockwasher 5/16 Zn	53	1	610-81	Shift Gate, Transmission
18	2	811-14	Spacer	54	2	112-01	HHCS 5/16-8x3/4 Gr5 Zn
19			<b>See Section 5.0 Intake &amp; Exhaust System</b>	55	1	127-11	Spring, Extension
20	1	112-57	HHCS 5/8-11x10.0 Gr5 Zn	56	4	103-41	SHCS 3/8-16x1.25 Zn
21	3	117-09	Locknut, Nylon 5/8-11 Zn	57	4	108-23	Washer 3/8 SAE Gr8-Dich.
22	3	811-09	Washer, Square - .64 ID	58	1	601-86	Clip, Retainer
23	4	108-24	Washer 5/16 SAE Zn	59	1	100-64	Tie Wrap - 5.5" - Black
24	2	112-58	HHCS 5/8-11x7.5 Gr5 Zn	<b>60</b>			<b>See Section 5.0 Steering &amp; Brake System</b>
25	1	811-30	Frame, Powerpack - Conq.	61	2	103-18	HHCS 3/8-24x1.25 Gr5 Zn
26	2	103-20	HHCS 1/2-13x6.5 Gr5 Zn	62	6	108-24	Washer .34 x .70 x .06 Zn
27	2	108-07	Lockwasher 1/2				
28	2	117-06	Nut, Fin Hex 1/2-13 Zn				
29			<b>See Section 1.0 Transmission</b>				
30	2	811-15	Washer, Square Lock .64ID				
31	2	103-53	HHCS 3/8-16x3.0 Gr5 Full Thread				
32	1	103-34	HHCS 3/8-16x1.25 Gr5 Zn				
33	3	108-06	Lockwasher 3/8 Split Ring Zn				
34	1	125-56	Drive Belt				
35			<b>See Section 3.0 Clutch System</b>				

# 5.0 Steering & Brake System

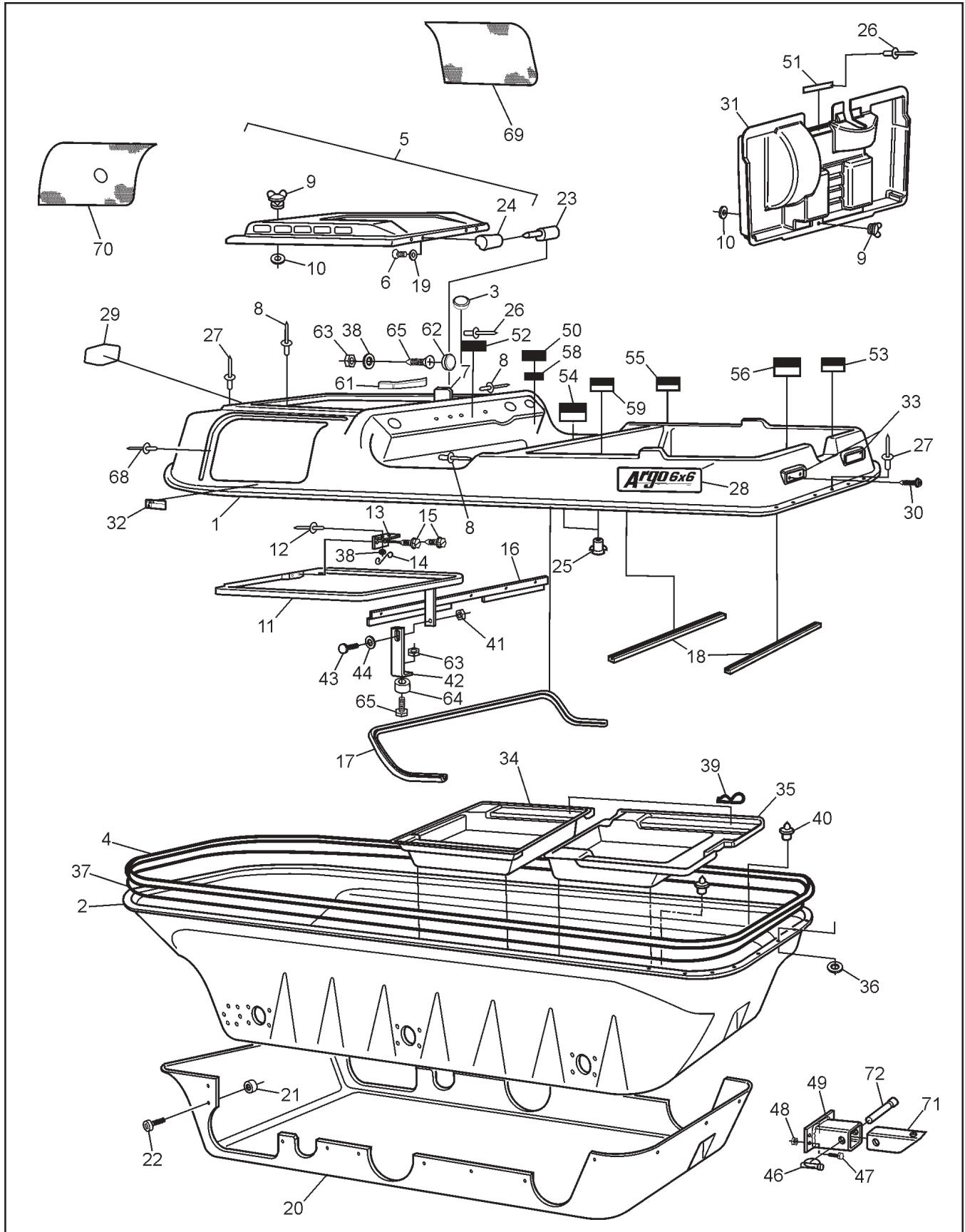
# Conquest 6x6 Parts Manual



# Conquest 6x6 Parts Manual

# 5.0 Steering & Brake System

Ref.	Qty.	Part #	Description	Ref.	Qty.	Part #	Description
1	1	612-117	Frame Assembly, Steering Column	39	2x8	108-24	Washer, .34x.70x.06 Zn
2	1	612-107	Handlebar Assembly	40	2x1	168-02	Screw, Bleeding, Knott Caliper
3	1	165-13	Master Cylinder - R	41	2x4	112-154	SHCS 5/16-18 x 2.75 Zn
4	1	165-12	Master Cylinder - L	42	2x4	117-03	Nut, Fin Hex 5/16-18 Zn
5	1	612-121	Shaft, Steering - Argo	43	2x2	103-47	HHMS #10-24 x 1/2" Zn
6	2	104-07/PI	Pin, Spring 1/4 x 1.25	44	2x1	168-17	Cover
7	1	108-47	Washer, .39 x .94 x .13 Zn Di-chr	45	2x1	168-16	Cover, Rubber
8	1	117-29	Locknut, Nylon 3/8-16 Zn	46	2x1	162-06	Spring, Comp. 12.7 x 49.3mm
9	2	612-124	Arm, Steering	47	2x1	162-07	Spring, Comp. 17.3 x 49.3mm
10	1	612-106	Clamp, Lower Handlebar	48	2x1		Seal, Primary, 19mm (See Ref. 55)
11	1	612-105	Clamp, Upper Handlebar	49	2x1	168-18	Piston 19mm dia.
12	1	106-07	Ring, Retaining SH-0075PA	50	2x1		Seal, Secondary, 19mm (See Ref. 55)
14	2	105-16	Bushing, Oilite - 3/4 x 1/2	51	2x1		Boot, Rubber (See Ref. 55)
15	1	110-17	Key, 3/16 x 3/16 x .625	52	2	112-02	SHSS 10-24x1/4 Knurl Cup PT, PL
16	2	128-10	Retainer, Handbrake Cable	53	2x2	160-01	Washer, Copper 2.3 x 10.0 x 16.0
17	6	112-47	SHCS, 1/4-20 x 1.0 Zn	54	2x1	160-44	Bolt, Banjo M10 x 1,0 x 21,0 Zn
18	8	117-27	Locknut, Nylon 1/4-20 Zn	55	2x1	161-06	O-Ring Kit - Master Cylinder (incl. Ref. 48, 50 & 51)
19	2	103-66	HHCS, 1/4-20 x 4.0 Gr5 Zn	56	2	812-30	Pin, Female
20	4	108-08	Washer, .28 x .62 x .04 Zn	57	2	117-03	Nut, Fin Hex 1/4-20 Zn
21	2	812-17	Collar	58	2	812-31	Fin, Male
22	1	128-08	Lever Assembly, Handbrake	59	2	160-45	Bolt, Banjo
23	1	128-09	Cable Assembly, Handbrake	60	4	160-04	Washer, Copper - 2,3 x 10,0 x 16,0
24	2	127-35	Grip, Molded	61		126-19	Fluid, Brake-Silicon Dot 5 - .35L
25	1	127-81	Throttle Twist Grip				
26	1	612-101	Cable Asm., Throttle				
27	1	100-64	Tie Wrap - 5.5"- Black				
28	2	161-05	O-Ring Kit, Knott Caliper				
29	2		Seal, Piston				
30	2		Seal, Rubber				
31	2x1	168-20	Plug, Rubber				
32	1	170-03	Pad Set (4), Brake - Non-Asbestos				
33	2x2	168-07	Pin, Cotter 1/8 x 3.00 Zn				
34	2x2	168-01	Piston, Knott Caliper				
35	2x1	163-01	Hose Asm, Hydraulic-310mm				
36	1	107-13	Ring,Retaining E-43				
37	1	166-10	Caliper, Hydraulic Brake - L, w/o pads				
38	1	166-11	Caliper, Hydraulic Brake - R, w/o pads				



# Conquest 6x6 Parts Manual

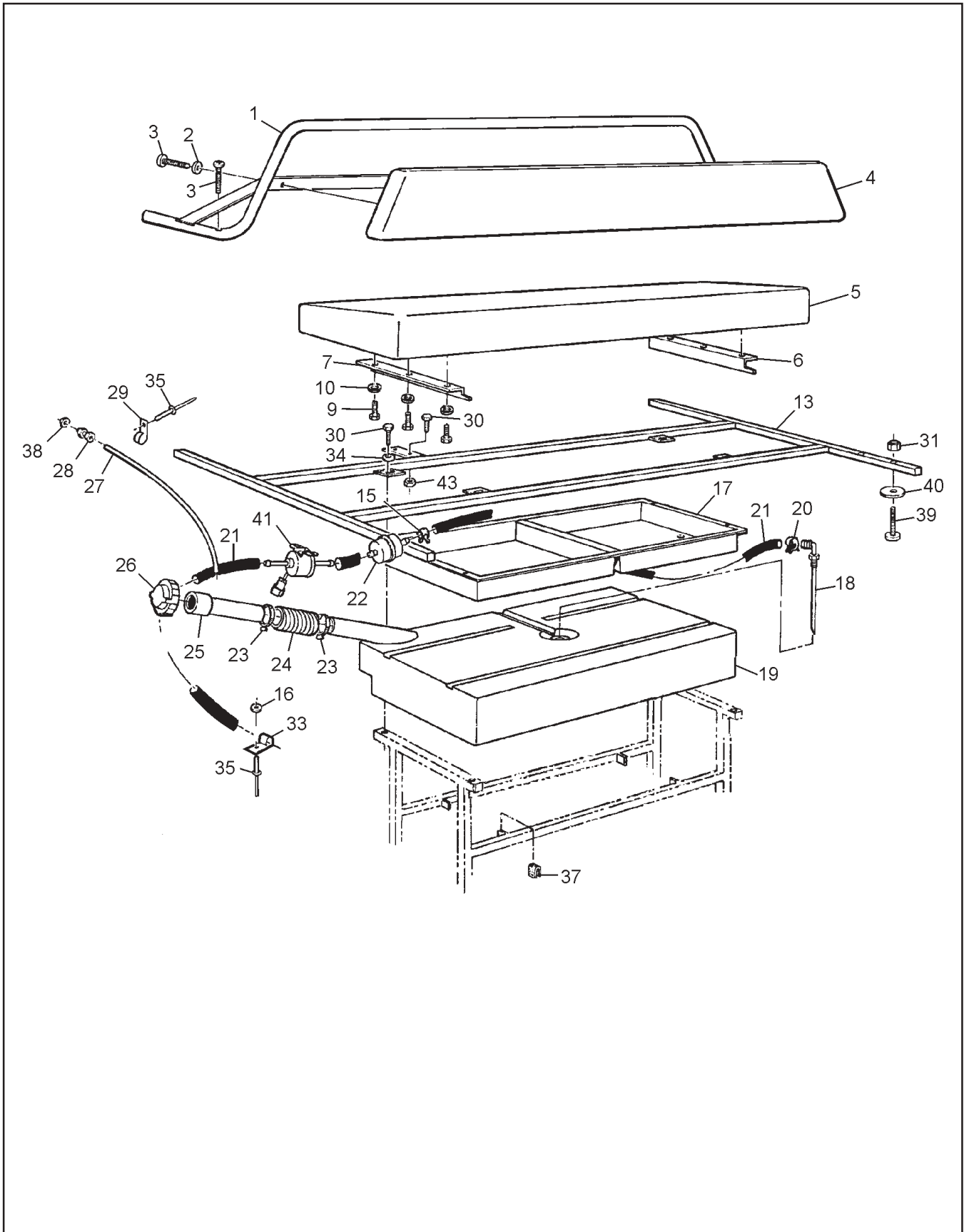
# 6.0 Vehicle Body & Firewall

Ref.	Qty.	Part #	Description	Ref.	Qty.	Part #	Description
1	1	602-42	Body & Hood, Upper - Conquest Replacement, specify colour (incl. Ref 5, 11, 12, 13, 14, 15 & 38)	35	1	603-03	Floor Pan, Rear 6x6 (specify colour)
2	1	603-92	Body, Lower - Ext'd 6x6, specify colour	36	51	120-04	Washer .19x.50x.08 Zn
3	1	127-28	Plug, Nylon - Black	37	1	126-60	Vinyl Strip 1/2"x1/4"x37.5'
4	1	601-05	Bumper, Vinyl - 6x6	38	4	120-05	Washer .19x.50x.04 Zn
5	1	602-34	Hood Kit (specify colour) (incl. Ref 6,8,9,10,19,23,24 & 27)	39	4	100-16	Clip, Hitch Pin 1.625 Zn
6	8	103-47	HHCS 10-24x1/2 Zn	40	2	100-18	Plug, Drain 5/8" x 13/32"
7	1	602-38	Clip, Hood	41	1	117-15	Nut, Fin. Hex 3/8-16 Zn
8	23	120-13	Rivet 3/16 x 5/8 - Black	42	1	602-27	Support, Adjustable
9	2	126-10	Wing Stud	43	1	103-89	C/Bolt 3/8-16x3/4 GR2 Zn
10	2	126-09	Grommet, Alum.	44	1	108-06	Lockwasher 3/8 Zn
11	1	602-24	Hood Frame Assembly	46	1	104-11	Pin, Lynch
12	2	120-15	Rivet 1/8 x 7/16	47	4	103-61	HHCS 3/8-24x1.5 GR5 Zn
13	1	601-69	Spring Plate	48	4	117-24	Locknut, Nylon 3/8-24 Zn
14	1	126-11	Spring	49	1	616-16	Hitch Assembly
15	2	112-19	Screw, IHWH T/C Slot 1/4-20x1/2	50	1		Vehicle ID Plate
16	1	602-29	Brace, Dash	51	1	126-65	Shifting Plate
17	1	601-08	Vinyl Trim, 84"	52	1	127-153	Plate, Keyswitch
18	2	601-09	Vinyl Trim, 28"	53	1	126-67	Floor Pan Plate
19	8	108-59	Lockwasher #10 Int. Tooth Zn	54	1	126-68	Operation Plate
20	1	663-11	Skid Plate - Ext'd 6x6	55	1	126-69	Fuel Plate
21	26	120-28	Collar, Magna Grip	56	1	127-76	Plate, Capacity - Land/Water
22	26	120-27	Pin, Magna Grip	58	1		U.S. Plate, Non U.S. Argos only
23	2	127-45A	Pin, Hinge	59	1	127-51	Plate, Capacity - 6x6
24	2	127-45B	Knuckle, Hinge	61	1	125-41	Dash Handle, incl. 62
25	4	117-44	T-Nut 1/4-20 Zn	62	2		Plug cap, avail. only with 61
26	34	120-24	Rivet, Alum - 3/32x3/8	63	3	117-10	Locknut, Nylon #10-24 Zn
27	76	120-09	Rivet 3/16 x 1 - Black	64	1	126-88	Bumper, Rubber
28	2	127-27	Nameplate, Conquest	65	3	103-25	PHMS 10-24x3/4 Zn
29	1	601-44	Nameplate, ARGO	68	28	120-11	Rivet, 5/32 x 9/16 - Black
30	4	103-48	T/S Pan HD Phil #10x5/8 A Zn	69	1	807-73	Screen, Intake - Conquest
31	1	609-33RM	Firewall (incl. 9,10,26,32,51)	70	1	807-98	Screen, Exhaust - Conquest
32	1	127-144	Label, Warning - HOT	71	1	616-19	Tube, Hitch - Insert
33	2	127-01	Reflector, Red	72	1	104-13	Pin, Top Link
34	1	803-02	Floor Pan, Front (specify colour)				



# Conquest 6x6 Parts Manual 7.0 Frame and Drive System

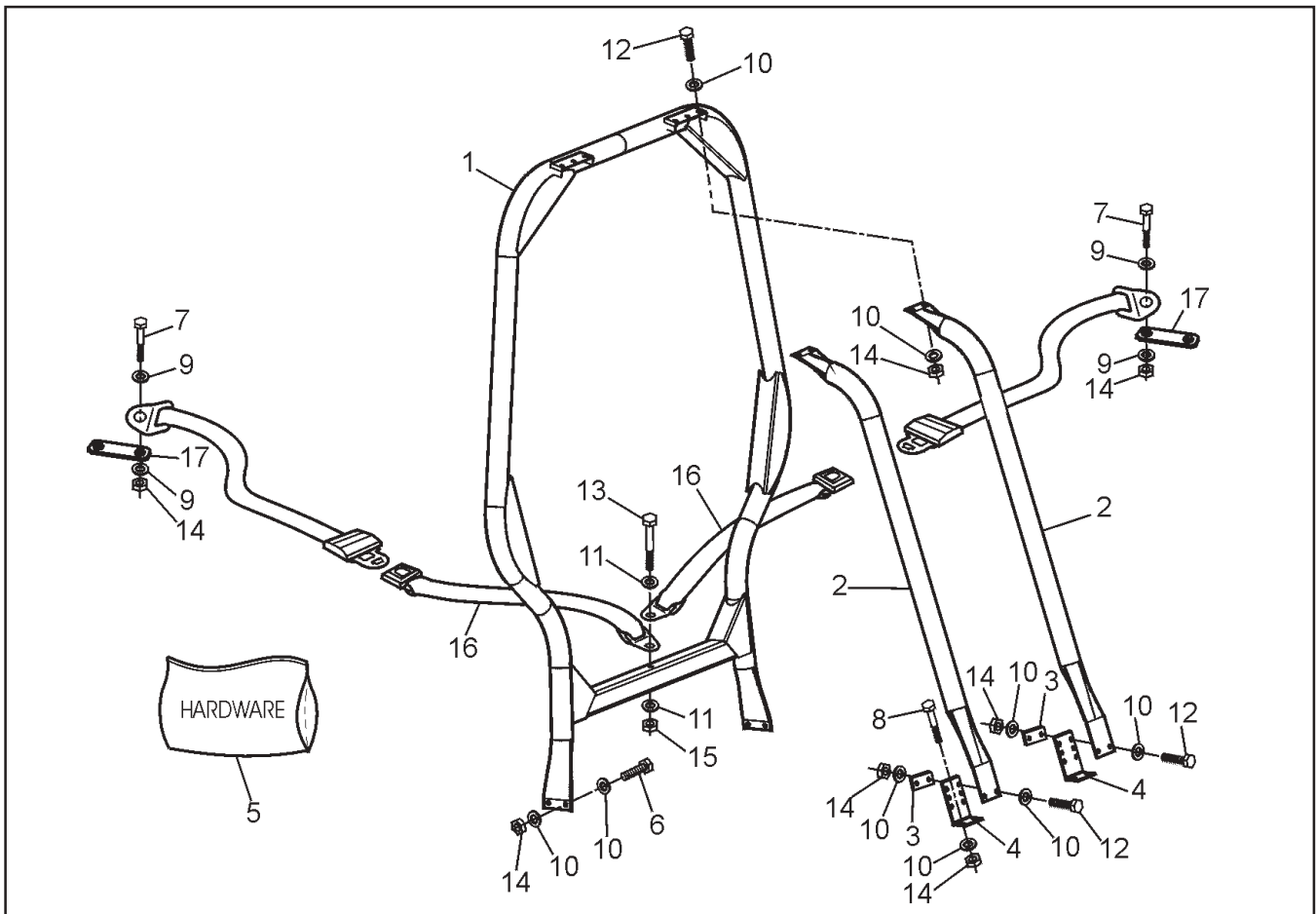
Ref.	Qty.	Part #	Description
1	1	606-60	Frame Asm - 6x6
2	2	606-24	Gasket, Bearing Extension
3	64	117-29	Locknut, Nylon 3/8-16 Zn
4	12	108-46	Washer .40x1.37x.12 Hi-Carbon
5	10	101-35	Bearing, Ball - 1.25
5a	6	101-41	Bearing, Ball - 1.0
6	66	108-06	Lockwasher 3/8 Zn
7	22	103-88	C/Bolt 3/8-16x1.0 Gr5 Zn
8	16	605-63	Flange - 4-hole
9	12	605-89	Gasket, Outer Bearing Flange
10	6	101-20	Flange Greaseable - 4 Hole
11	6	102-14	Seal, Oil 1.25x1.75x0.188
12	6	102-15	Seal, Oil 1.25x1.874x0.25
13	6	605-97	Flange Assem, Outer (incl. Refs. 11 & 12)
14	16	112-39	C/Bolt 3/8-16x1.75 Gr5 Zn
15	8	112-134	C/Bolt 3/8-16x6.5 Zn
16	2	810-52	Bearing Extension (uses Refs. 17 & 18)
17	12	108-34	Washer 7/16 SAE Zn
18	12	103-81	HHCS 7/16-20x2.5 Gr5 Zn
19	5x6	103-80	Stud, Wheel 7/16-20 x 1.125 #B271
20	2	810-73	Axle Assembly - Front (incl. Ref. 19)
21	4	810-75	Axle Assembly - Mid (incl. Ref. 19)
22	2	810-32	Shaft, Idler - 11T
23	1	604-84	Frame Assembly, Battery
24	6	810-28	Sprocket, Double - 24T
25	4	606-34	Sprocket - S60x19T
26	6	112-03	SHSS 5/16-18x3/8 1/2 DOG, PL
27	2	803-17	Chain, Idler RC50-2 x 40P (incl. Ref 53)
28	4	117-64	Insert, 1/4-20
29	10	112-31	HHCS 3/8-16 x 1.0 2B Gr8 Zn
30	2	112-14	HHCS 3/8-16x.75 Gr5 Zn
31	1	108-15	Washer 3/8 SAE Zn
32	2	103-82	HHCS 3/8-16x1.5 Gr5 Zn
33	4	112-61	C/Bolt 3/8-16x1.25 Gr5 Zn
34	2	120-15	Rivet 1/8 x 7/16
35	1	126-11	Spring
36		127-80	Link, Half - RC60 - 1 (opt.)
37	4	101-80	Flange, Greaseable - 90 Degree
43	2	603-17	Chain RC50 - 2x42P - Front (incl. Ref 53)
44	2	603-26	Chain RC50 - 2x76P - Mid (incl. Ref 53)
45	2	603-83	Chain RC60 - 1x88P - Rear (incl. Ref 54)
46	5x6	117-35	Nut, Wheel 7/16-20 Zn
47	6	125-26	Valve, Tire
48	6	127-61C	Rim - 10x9 - Charcoal
49	6	127-60	Tire, Goodyear Rawhide III 25x12-9
52	4	100-01	Pin, Cotter 1/8 x 1.50 Zn
53	1x6	100-96	Con. Link, RC50-2 H.D.
54	1x2	603-84	Con. Link, RC60-1 H.D.
55	4	127-65	Spring Torsion - 1.16x0.35
56	4	606-39	Slider Block - 1/2" Shaft
57	4	606-35	Tensioner Asm, Chain
58	4	127-64	Spring, Torsion - .76 x 1.9
59	2	107-10	Retaining Ring
60	2	606-41	Slide, Chain - 2"
61	2	606-42	Slide, Chain - 1.25"
62	6	603-95	Spring Clip - RC 50 Closed
63	4	603-96	Spring Clip - RC 60 Closed



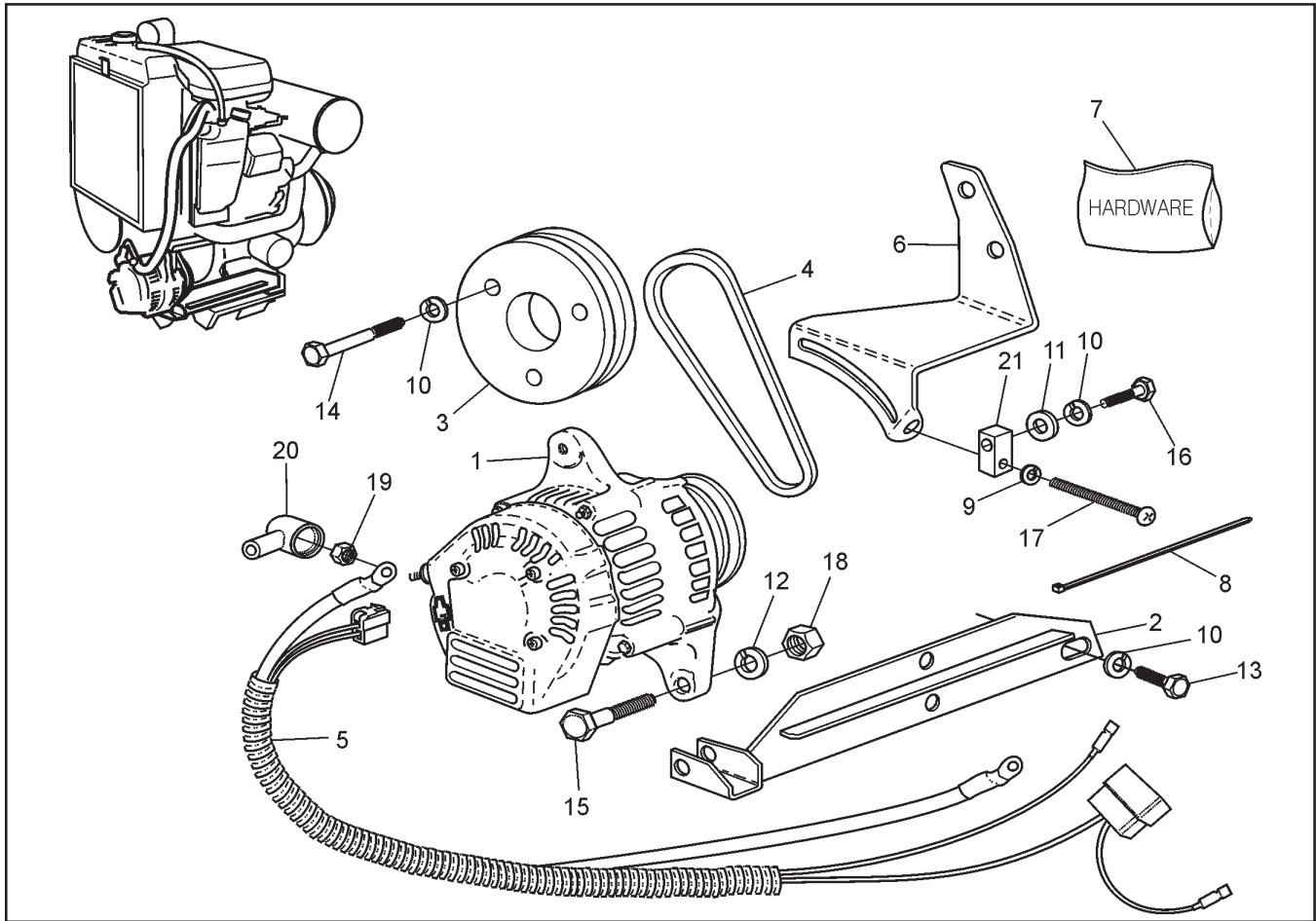
Ref.	Qty.	Part #	Description
1	1	803-50	Handrail Assembly
2	4	108-03	Lockwasher 1/4
3	6	112-41	PHMS, PHIL 1/4-20x1.25 Zn
4	1	608-39	Back Pad Asm
5	1	608-43	Seat, Bench
6	1	608-30	Angle, Left
7	1	608-31	Angle, Right
9	6	112-04	HHCS 1/4-20x3/4 Gr2 Zn
10	6	108-03	Lockwasher 1/4
13	1	804-17	Frame Asm, Seat
15	2	112-78	Clamp, Hose, 9/16" - Black
16	2	120-04	Washer .19x.50x.08 Zn
17	1	608-32	Tool Box
18	1	608-28	Pickup Assembly, Fuel (See Ref. 19)
19	1	608-24	Tank, Fuel - 32 litre (incl. Ref. 18)
20	4	112-79	Clamp, Hose, 1/2" - Black
21	1	608-42	Fuel Hose - 110"
22	1	125-64	Fuel Filter
23	2	100-12	Clamp, Gear 2.25" HF-36
24	1	125-94	Hose, Filler
25	1	126-47	Neck Asm, Fuel
26	1	126-46	Cap, Fuel
27	1	127-77	Hose, Vent - 93" 6x6
28	1	126-50	Male Connector, 1/4"
29	5	126-94	Clamp, Nylon Wire - 14" ID
30	6	112-04	HHCS 1/4-20x3/4 Gr2 Zn
31	12	117-10	Locknut, Nylon #10-24 Zn
33	3	126-93	Clamp, Nylon Wire - 12" ID
34	4	108-08	Washer .28x.62x.04 Zn
35	8	120-09	Rivet 3/16x1 - Black
37	4	702-06	Foam Cushion
38	1	117-54	Nut, Locking PAL 1/2-20 Zn
39	12	112-07	RHMS 10-24x1.50 Zn
40	12	108-42	Washer .21x1.0x.06 Zn
41	1	49040-2065	Pump, Fuel
43	2	117-27	Locknut, Nylon 1/4-20 Zn

# 9.0 Roll Bar System

# Conquest 6x6 Parts Manual



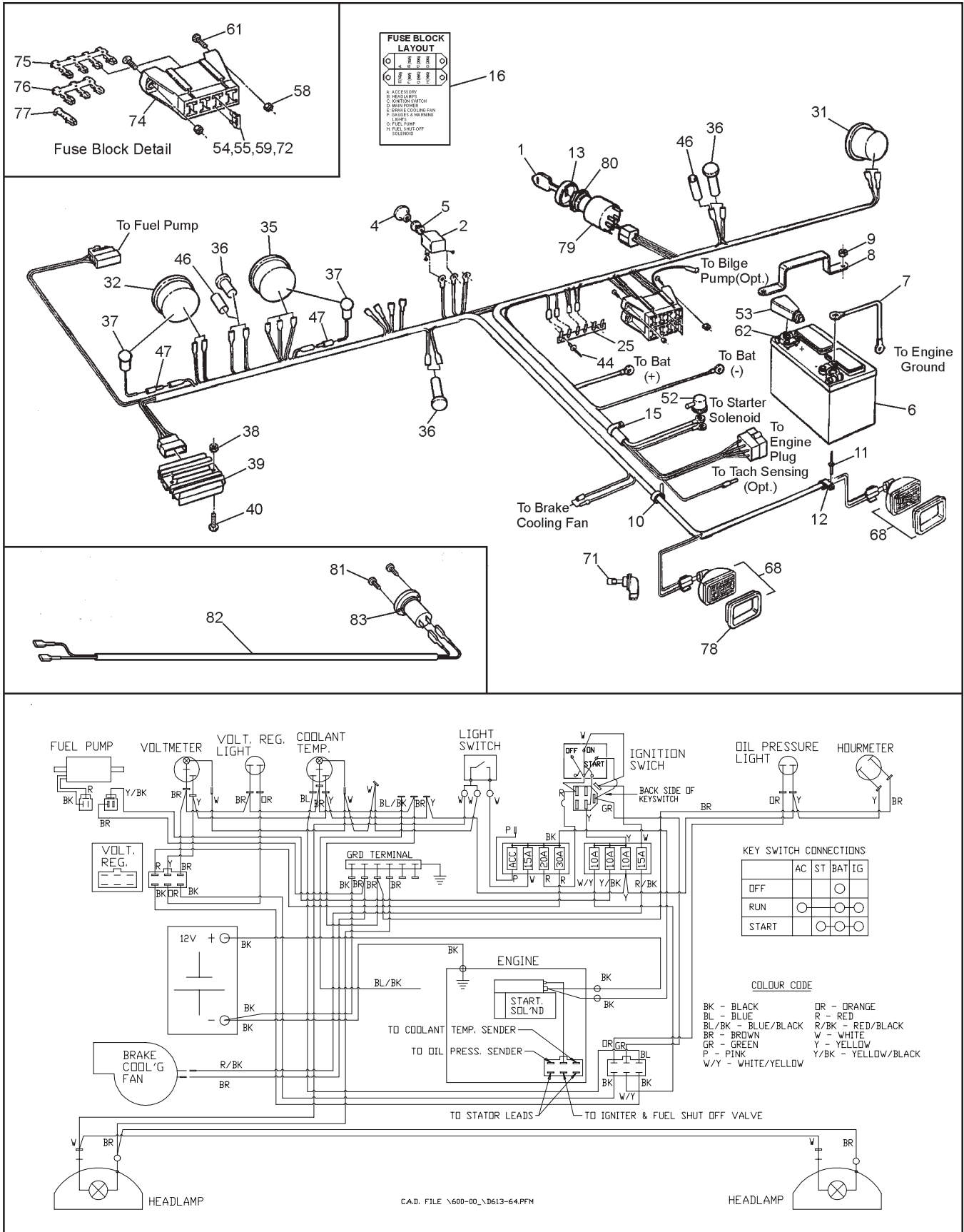
Ref.	Qty.	Part #	Description
1	1	648-20	Roll Bar, Welded Assembly
2	2	648-21	Brace, Rear
3	2	648-27	Plate, Attachment
4	2	648-28	Plate, Angle - Rear Brace
5	1	648-15HDW	Hardware Kit
6	4	103-06	HHCS 5/16-18x1.0 GR5 Zn
7	2	103-38	HHCS 5/16-18x1.25" Gr5
8	6	103-57	HHCS 5/16-18x1.5" Gr5
9	16	108-12	Washer, .34x1.02x.06"
10	20	108-24	Washer, .34x.70x.06 Zn
11	2	108-26	Washer, .43x1.02x.09 Zn
12	8	112-01	HHCS 5/16-18x3/4 Gr5 Zn
13	1	112-29	HHCS 3/8-16x2.5 Gr5 Zn
14	20	117-21	Locknut, Nylon 5/16-18 Zn
15	1	117-29	Locknut, Nylon 3/8-16 Zn
16	2	848-56	Seat Belt Assembly c/w Label
17	2	848-57	Anchor, Seat - Belt



Ref.	Qty.	Part #	Description
1	1	850-41	Alternator - 40 amp
2	1	850-42	Bottom Bracket
3	1	850-44	Pulley
4	1	850-45	V-Belt, 3/8" x 19"
5	1	850-46	Wire Harness
6	1	850-53	Top Bracket
7	1	<b>850-40HDW</b>	<b>Hardware Kit comprised of:</b>
8	2	100-64	Tie Wrap - 5.5" - Black
9	1	108-03	Lockwasher 1/4" Split-ring Zn
10	9	108-05	Lockwasher 5/16" Split-ring Zn
11	1	108-24	Flat Washer .34 x .70 x .06 Zn
12	1	108-27	Lockwasher 7/16" Split-ring Zn
13	2	112-20	HHCS M8 x 1.25 x 25mm
14	3	112-21	HHCS M8 x 1.25 x 60mm Zn
15	1	112-22	HHCS M10 x 1.50 x 50mm Zn
16	1	112-63	HHCS M8 x 1.25 x 35mm Gr 5 Zn
17	1	112-65	RHMS 1/4 - 20 x 3" Phil Zn
18	1	117-62	Nut, Hex M10 x 1.50 Zn
19	1	117-63	Nut, Hex M6 x 1.0 Zn
20	1	613-45	Insulator, Terminal (6ga.)
21	1	850-52	Block, Adjuster

# 11.0 Electrical System

# Conquest 6x6 Parts Manual



Ref.	Qty.	Part #	Description
1	2	127-108	Key, Molded
2	1	100-62	Switch, Light
3	1	613-64	Wire Harness - Conquest (incl. Fuse Holders)
4	1	126-76	Knob, Light
5	1	108-55	Lockwasher 7/16 External Tooth
6	1	127-54	Battery, Exide 45-50
7	1	613-14	Wire, Ground - 14"
8	1	604-52	Bracket, Battery Retaining
9	2	117-21	Locknut, Nylon 5/16-18 Zn
10	8	100-64	Tie Wrap, 5.5" - Black
11	6	120-13	Rivet 3/16x5/8 - Black
11a	10	120-09	Rivet 3/16x1 - Black
12	16	126-93	Clamp, Nylon Wire-1/2" ID
13	1	127-107	Cover, Nut
15	5	127-24	Clamp, Nylon - 1" ID
16	1	127-126	Label, Fuse Panel - Kawasaki (located on Guard, Belt Protect - see pg. 5)
25	1	613-37	Terminal Strip, Ground
31	1	632-15	Hourmeter
32	1	633-10	Voltmeter
35	1	634-22	Gauge, Water Temperature
36	3	634-08	Light, Indicator
37	2	634-10	Light Kit, #06215-00
38	2	117-27	Locknut, Nylon 1/4-20 Zn
39	1	21066-2070	Regulator, Voltage
40	2	103-63	PHMS, PHIL 1/4-20x1.0 Zn
44	2	120-15	Rivet 1/8x7/16
46	2	118-48	Heat Shrink, 2 x 1/2
47	2	118-02	Terminal, Male #76-1251
52	1	613-46	Terminal Insulator (2 ga.)
53	1	127-55	Cap, Battery Terminal
54	1	118-53	Fuse, 20A 2 prong (AT020)
55	2	118-49	Fuse, 15A 2 prong (AT015)
58	4	117-10	Locknut, Nylon #10-24 Zn
59	3	118-52	Fuse, 10A 2 prong (AT010)
61	4	103-25	PHMS #10-24x3/4 Zn
62	2	127-56	Terminal, Battery Post
68	2	613-62	Headlamp Asm (incl. Refs. 71 & 78)
71	2	127-46	Bulb, Headlight - Halogen
72	1	118-51	Fuse, 30A 2 prong (AT030)
74	2	118-60	Block - Fuse, 8 position (4 fuse)
75	1	118-61	Terminal - Fuse, quad
76	1	118-63	Terminal - Fuse, triple
77	9	118-62	Terminal - Fuse, single
78	2	613-62RB	Bezel, Rubber Headlamp
79	1	127-105	Switch, Ignition
80	1	127-106	Nut, flanged, plastic
81	3	112-139	#4 Phil Drive Oval Head Screw, Black
82	1	613-91	Wire Harness, 12V Acc. Outlet
83	1	613-90	Outlet, 12VDC

# **ARGO** Products Manufactured by:

## **Ontario Drive & Gear Limited**

220 Bergey Court  
New Hamburg, Ontario  
Canada N3A 2J5  
Phone: (519) 662-2840  
Fax: (519) 662-2421

**ODG** *Dedicated to quality and performance*