

Argo 6x6
VANGUARD



ARGO

**VANGUARD
PARTS MANUAL**

From Serial # ...14916

Foreword

ODG has prepared this parts manual for the VANGUARD model to assist both qualified mechanics and vehicle owners in ordering correct, quality replacement ARGO parts. For the most current parts manual visit our website at www.argoatv.com.

Proper and regular service, and replacing old, worn or broken parts with the correct ARGO replacement parts, are both essential to prolonging the life of the ARGO. Please refer to this parts manual and/or our website www.argoatv.com before ordering any replacement part.

All information contained in this VANGUARD Parts Manual is based on the latest product specification available at time of printing. If your VANGUARD differs from the specifications contained in this manual, check our website www.argoatv.com for the most current information.

ODG reserves the right to alter specifications on the VANGUARD model at any time, without obligation or prior notification.

Reproduction of the VANGUARD Parts Manual, in whole or in part, is prohibited without prior written permission from Ontario Drive & Gear Limited.

Model Identification

VANGUARD - Model No. V14916

Explanation of Parts Manual Format

| | |
|--------------------|--|
| Ref | - Reference number between assembly diagram and component parts list |
| Part No. | - Argo replacement part number for identification and re-ordering |
| Description | - Part description for identification and re-ordering |
| Qty | - Indicates the quantity of a part used in an Assembly |

ARGO 6x6

VANGUARD

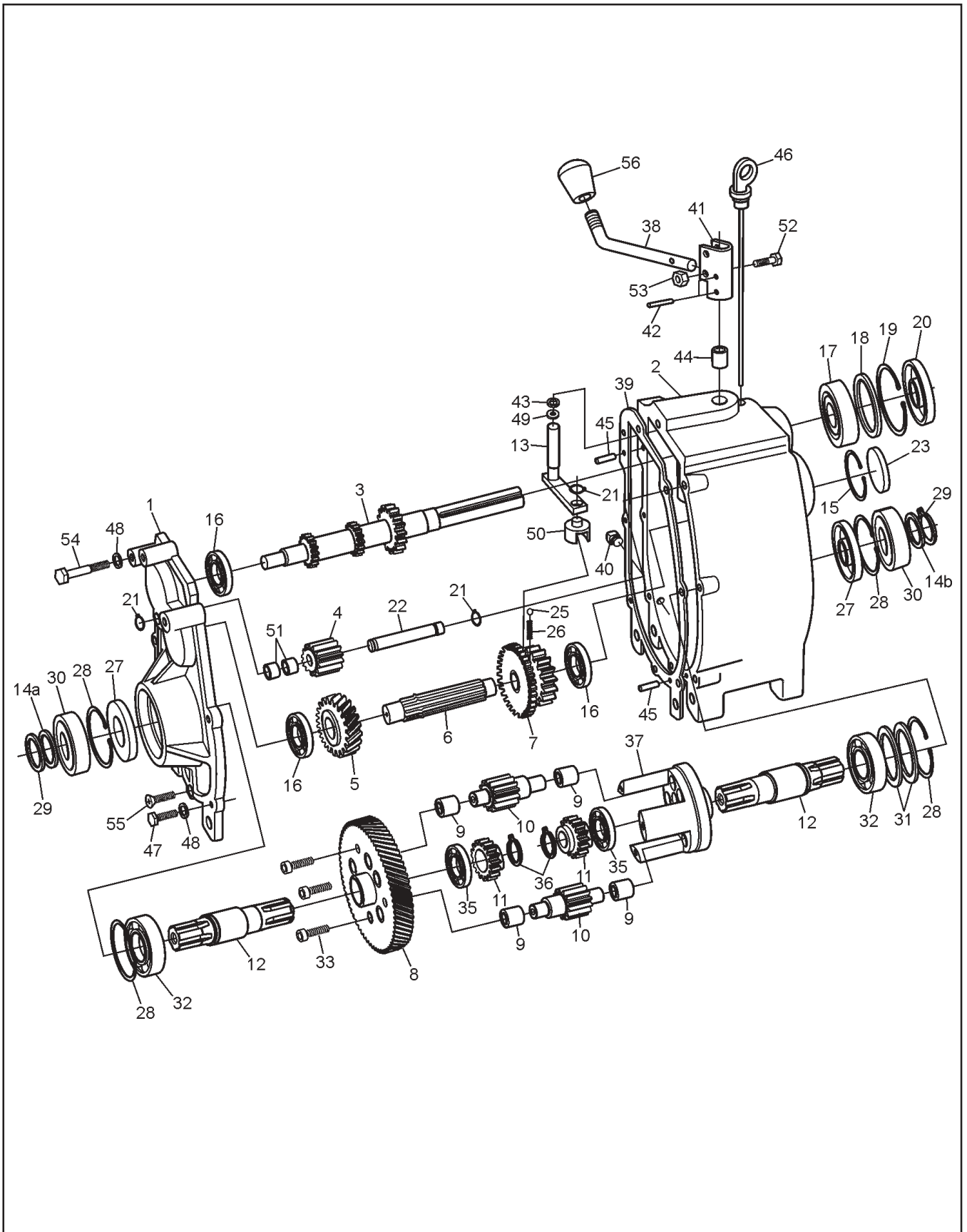


Using the Parts Manual

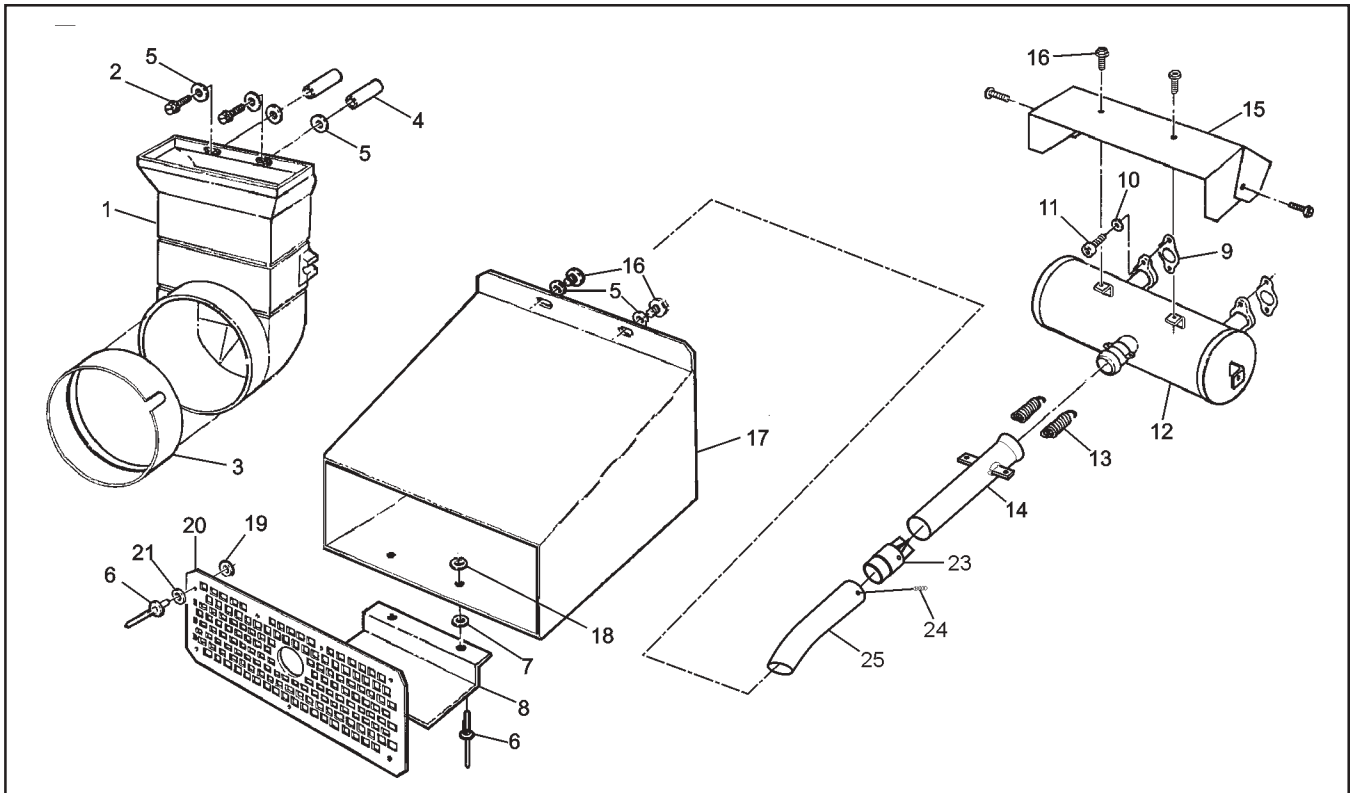
1. Find the major vehicle assembly in the Table of Contents on this page, and turn to that section.
2. Locate the part in the illustration that you wish to order.
3. Refer to the parts list in that section.
4. Find the correct part number (Part No.), part description (Description) and correct quantity (Qty).
5. Use *only* this information to order ARGO replacement parts. *DO NOT* attempt to order a replacement part by reference number or page number.

Table of Contents

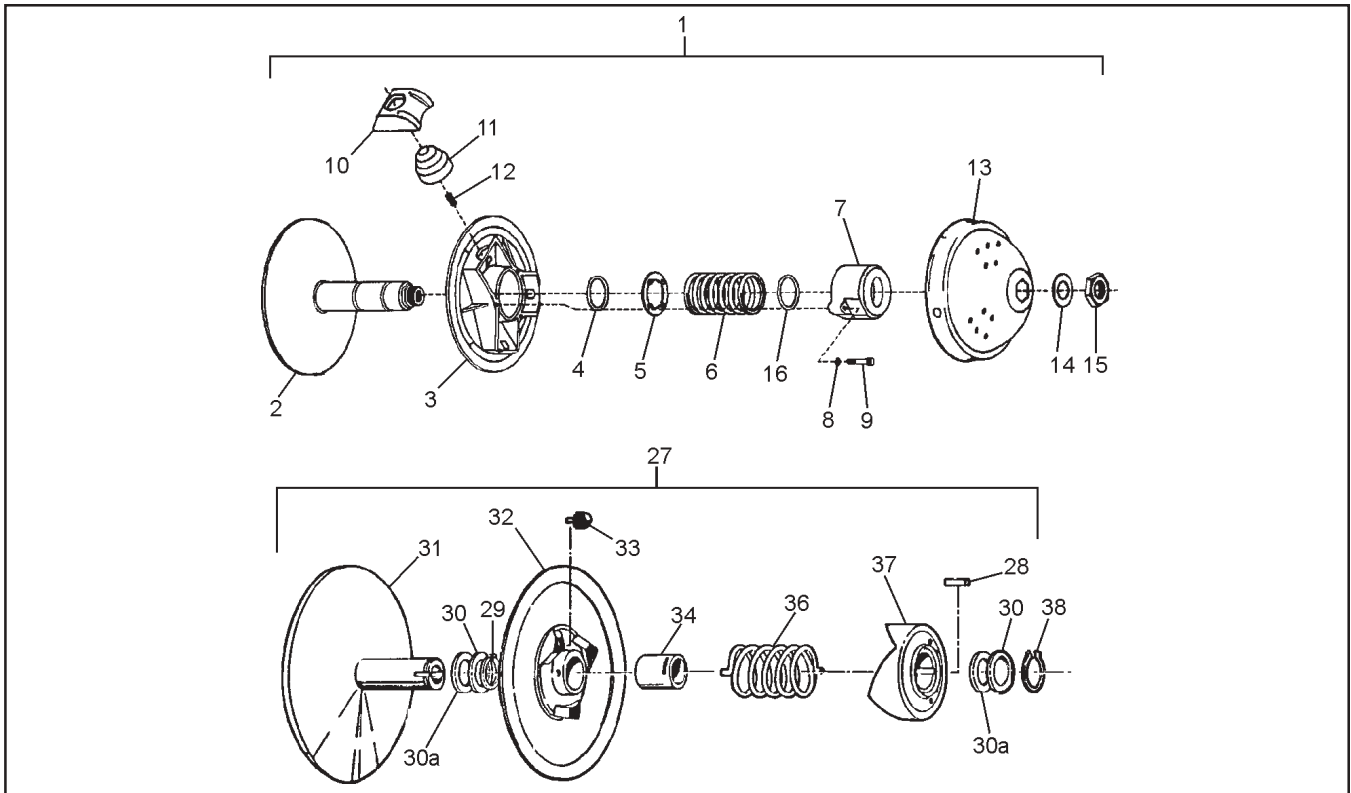
| | |
|---------------------------------------|----|
| Foreword | i |
| Model Identification | i |
| Using the Parts Manual | ii |
| 1.0 Transmission | 1 |
| 2.0 Intake and Exhaust System | 3 |
| 3.0 Clutch System | 4 |
| 4.0 Power Pack Assembly | 5 |
| 5.0 Brake System | 7 |
| 6.0 Vehicle Body & Firewall | 9 |
| 7.0 Frame & Drive System | 11 |
| 8.0 Fuel System & Seat Assembly | 13 |
| 9.0 Electrical System | 15 |



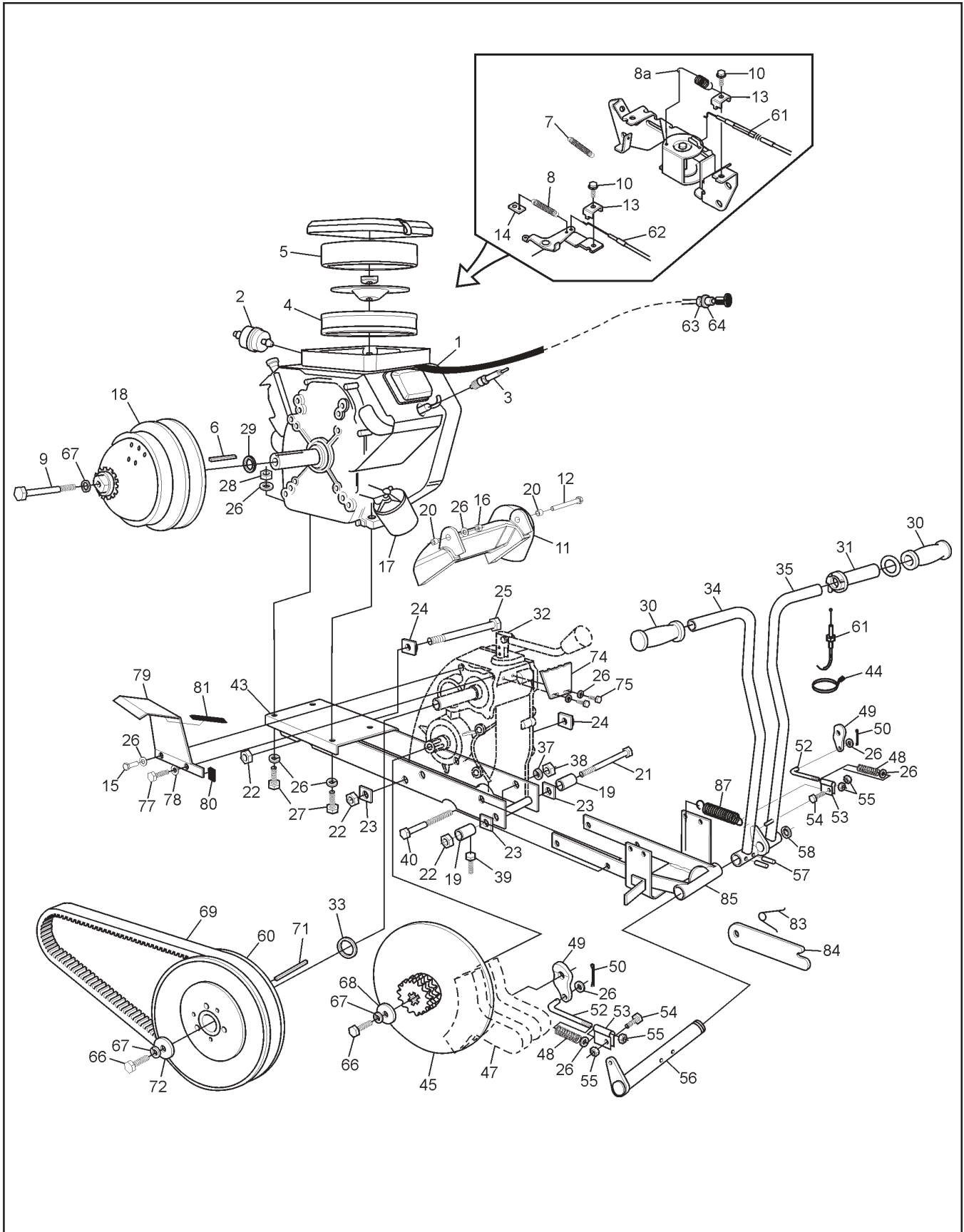
| Ref. | Qty. | Part # | Description |
|------|---------|---------|---|
| * | | 610-18H | Transmission Asm - H, (does not include Refs 38, 52, 53 & 56) |
| 1 | 1 | 34-68 | Cover, Transmission |
| 2 | 1 | 34-99 | Housing, Transmission |
| 3 | 1 | 34-21 | Shaft, Input - 13/21T |
| 4 | 1 | 34-16A | Gear, Idler 13T (incl. Ref. 51) |
| 5 | 1 | 34-96 | Gear, Helical - 26T-H |
| 6 | 1 | 34-94 | Shaft, Spline |
| 7 | 1 | 34-91 | Gear, Double - 26/33T |
| 8 | 1 | 34-43 | Gear Plate - 71T-H |
| 9 | 12 | 105-03 | Bushing, Oilite ½ x ¾ |
| 10 | 6 | 34-13 | Gear, Planet - 12T |
| 11 | 2 | 34-14 | Gear, Sun - 21T |
| 12 | 2 | 34-98 | Shaft, Output |
| 13 | 1 | 34-65 | Shifter Asm |
| 14a | 1 | 114-04 | Washer, Shim .040 Thk |
| 14b | 1 | 114-05 | Washer, Shim .020 Thk |
| 15 | 1 | 106-01 | Retaining Ring |
| 16 | 3 | 101-01 | Bearing, Ball 6204Z-C3 |
| 17 | 1 | 101-16 | Bearing, Ball 6206-C3 |
| 18 | as req. | 114-02 | Washer, Shim |
| 19 | 1 | 106-05 | Retaining Ring |
| 20 | 1 | 102-05 | Seal, Oil WBS 30 x 62 x 10 |
| 21 | 3 | 107-05 | Retaining Ring |
| 22 | 1 | 34-11 | Pin, Dowel ½ x 3.50 |
| 23 | 1 | 31-07 | Plug plate |
| 25 | 1 | 109-05 | Ball, Steel 6mm 62-67 Rc |
| 26 | 1 | 34-32 | Spring, Compression - 7/32 x 0.50 |
| 27 | 2 | 102-03 | Seal, Oil WBS 30 x 72 x10 |
| 28 | 4 | 106-03 | Retaining Ring |
| 29 | 2 | 107-02 | Retaining Ring |
| 30 | 2 | 101-05 | Bearing, Ball 6306-2NSE C3 |
| 31 | 2 | 114-01 | Washer, Shim .020 x 2.25 x 2.81 |
| 32 | 2 | 101-03 | Bearing, Ball 6207-C3 |
| 33 | 3 | 103-04 | SHCS 5/16-18 x 1.00 Bare |
| 35 | 2 | 101-15 | Bearing, Ball 6005-C3 |
| 36 | 2 | 107-04 | Retaining Ring |
| 37 | 1 | 34-08 | Cage |
| 38 | 1 | 610-77 | Lever, Shift |
| 39 | 1 | 34-47 | Gasket, Cover - 1/64" Thk |
| 40 | 1 | 103-02 | Plug, Magnetic 3/8 - 18 NPT Sq. Hd. |
| 41 | 1 | 34-86 | Holder, Shift Lever |
| 42 | 2 | 111-01 | Pin, Slotted Spring 5/32 x 1.00 |
| 43 | 1 | 113-01 | O-Ring 012-7147 |
| 44 | 1 | 105-02 | Bushing, Oilite 1/2x 1.0 |
| 45 | 2 | 104-03 | Pin, Dowel 1/4 x 7/8 |
| 46 | 1 | 34-77 | Dipstick - with Breather |
| 47 | 4 | 103-06 | HHCS 5/16-18 x 1.00 Gr5 Zn |
| 48 | 7 | 108-05 | Lockwasher 5/16 |
| 49 | 1 | 108-74 | Washer .64 x .875 x .10 Zn |
| 50 | 1 | 34-63 | Shift Yoke |
| 51 | 2 | 101-79 | Bearing, Drawn Cup Needle |
| 52 | 1 | 103-97 | HHCS 1/4-20 x 1.25 Gr5 Zn |
| 53 | 1 | 117-27 | Locknut, Nylon 1/4-20 Zn |
| 54 | 3 | 103-84 | HHCS 5/16-18 x 2.25 Gr5 Zn |
| 55 | 1 | 103-95 | FHSC 5/16-18 x 1.0 Gr8 Zn |
| 56 | 1 | 126-38 | Knob, Shift |



| Ref. | Qty. | Part # | Description |
|------|------|---------|-----------------------------------|
| 1 | 1 | 603-81 | Duct, Intake |
| 2 | 2 | 112-48 | Screw, T/S HH#14 x 2.25 Zn |
| 3 | 1 | 603-82 | Seal |
| 4 | 2 | 120-29 | Spacer, .26 ID x 1.12 LG |
| 5 | 6 | 108-08 | Washer, .28 x .62 x .04 Zn |
| 6 | 9 | 120-13 | Rivet 3/16 x 5/8 - Black |
| 7 | 2 | 125-58 | Washer, Fibre - W-77F |
| 8 | 1 | 707-28 | Support, Exhaust Duct |
| 9 | 2 | 805024 | Gasket |
| 10 | 4 | 108-02 | Lockwasher 5/16 Hi-Collar Bare |
| 11 | 4 | 112-30 | SHCS M8 x 1,25 x 20mm Zn |
| 12 | 1 | 807-90 | Muffler, B&S V-Twin Weld Ass'y |
| 13 | 2 | 126-57 | Spring, Extension- 7/16 x 2.14 |
| 14 | 1 | 807-92 | Pipe, Mufflertail - B&S |
| 15 | 1 | 807-85 | Shield, Muffler Heat |
| 16 | 6 | 112-19 | Screw, IHWH T/C Slot 1/4-20 x 1/2 |
| 17 | 1 | 707-32 | Duct, Exhaust |
| 18 | 2 | 120-04 | Washer .19 x .50 x .08 Zn |
| 19 | 7 | 120-05 | Washer .19 x .50 x .04 Zn |
| 20 | 1 | 707-31P | Screen, Exhaust |
| 21 | 7 | 125-59 | Washer, Fibre -.062 x .25 x .50 |
| 23 | 1 | 807-67 | Spark Arrester |
| 24 | 1 | 112-43 | Screw, IHWH #8 x 3/8 |
| 25 | 1 | 807-89 | Tube, Tailpipe Outlet |



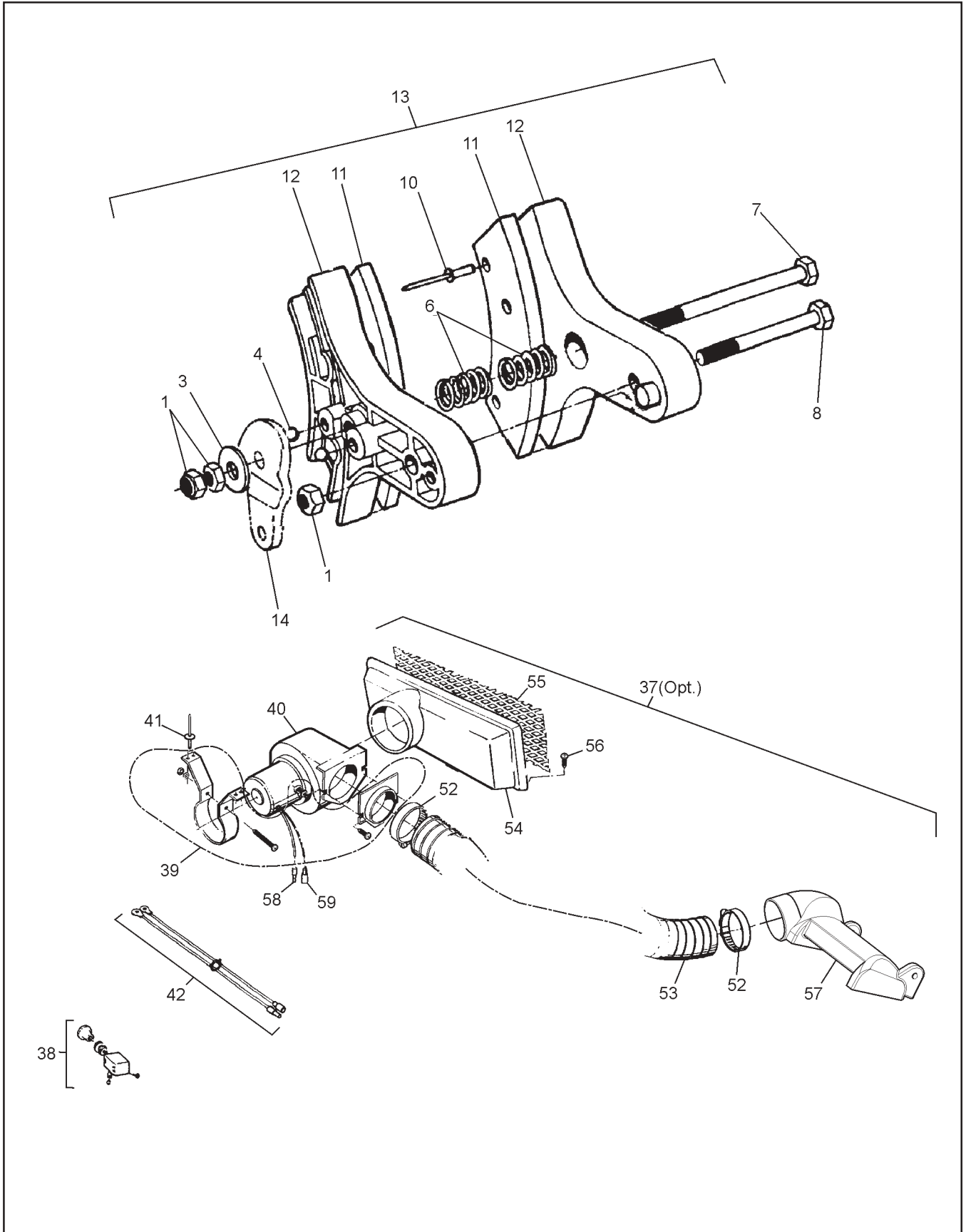
| Ref. | Qty. | Part # | Description |
|------|--------|-----------------|--|
| 1 | 1 | 127-72 | Clutch, Driver, keyed (incl. Refs. 2 to 15) IBC #0400-0061 |
| 2 | 1 | 0405-0043 | Pulley, Half - Fixed |
| 3 | 1 | 0410-0007 | Pulley, Half - Sliding |
| 4 | 1 | V08 | Ring, Retaining |
| 5 | 1 | V09 | Plate, Spring Guide |
| 6 | 1 | V10-48-103-18 | Spring |
| 7 | 1 | 0440-0002 | Cover, Spring |
| 8 | 3 | 0080-0167 | Lockwasher |
| 9 | 3 | 222-9640-66 | SHCS |
| 10 | 3 | 0130-3002 | Block, Red |
| 11 | 3 | 0135-2059 | Weight - 200g |
| 12 | 3 | C24-L1 | Spring, Anti-Noise |
| 13 | 1 | 0115- 0015(B) | Cap |
| 14 | 1 | 0080-0153 | Washer |
| 15 | 1 | 0080-0100 | Nut |
| 16 | 1 | V08C | Ring, Retaining |
| 27 | 1 | 127-129 | Clutch, Driven-Model "B" SODB0001 (incl. Refs. 28 to 37) |
| 28 | 1 | ASK-5 | Key 1/4 x 1/4 x 5/8 |
| 29 | 1 | ASR-6 | Retaining Ring |
| 30 | as req | ASA-1 | Spacer .050" Thick |
| 30a | as req | ASA-1-S | Spacer .025" Thick |
| 31 | 1 | AFK25.4-250OD01 | Pulley, Half - Fixed |
| 32 | 1 | 5110-0021 | Pulley, Half - Sliding incl. Refs. 33 & 34 |
| 33 | 3 | ANS-2-T | Shoe, Cam |
| 34 | 1 | 5040-3003 | Bushing, Super Oilite |
| 36 | 1 | ACS-3-188 | Spring, Blue |
| 37 | 1 | AFC-4-C3D4 | Cam |
| 38 | 1 | 371-9031-000 | Retaining Ring |



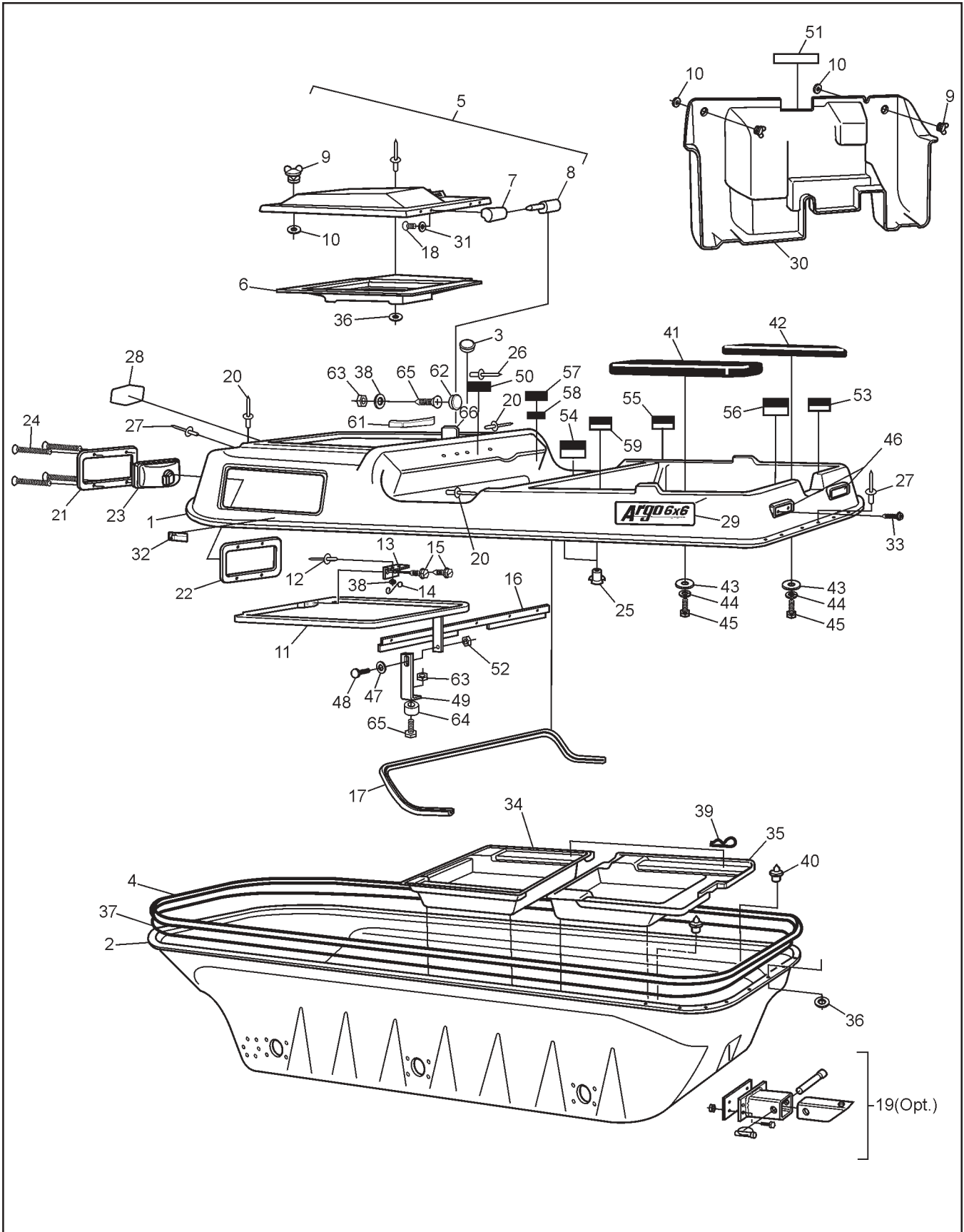
Vanguard Parts Manual

4.0 Power Pack Assembly

| Ref. | Qty. | Part # | Description | Ref. | Qty. | Part # | Description |
|------|--------|---------|--|------|------|---------|--------------------------------------|
| 1 | 1 | 128-19 | Engine - B&S 16HP - Cool/Clean (incl. refs. 2-10, 13, 14, 17) B&S # 305447-0155-E1 | 43 | 1 | 611-71 | Frame-Power Pack |
| 2 | 1 | 125-64 | Fuel filter, G81-4 | 44 | 1 | 100-64 | Tie-Wrap - 5.5" - Black |
| 3 | 2 | 126-74 | Spark Plug #3926 | 45 | 2 | 610-76 | Brake Disc-#40-2x15T |
| 4 | 1 | 394018 | Filter - Air (B&S#) | 47 | | | See Section 5.0 Brake System |
| 5 | 1 | 272490 | Element, - Foam (B&S#) | 48 | 2 | 127-48 | Spring, Comp. .54x1.90 |
| 6 | 1 | 110-03 | Key 1/4x3/16x2.375 RC46 | 49 | 2 | 612-41 | Brake Cam |
| 7 | 1 | 805523 | Spring, Governor - Green | 50 | 2 | 100-03 | Pin, Cotter 3/32x.750 Zn |
| 8 | 1 | 125-88 | Spring, Extension | 52 | 2 | 612-21 | Brake Adjusting Rod |
| 8a | 1 | 127-49 | Spring, Return | 53 | 2 | 612-20 | Steering Rod Clamp |
| 9 | 1 | 112-28 | HHCS 3/8-24x4.5 Gr5 Zn | 54 | 2 | 103-46 | HHCS 5/16-24x1.0 Gr5 Zn |
| 10 | 2 | 805169 | Screw-Hex Head (BS #) | 55 | 4 | 117-04 | Locknut, Nylon 5/16-24 Zn |
| 11 | 1 | 128-01 | Duct, Brake Cooling | 56 | 1 | 612-81 | Steering Shaft Asm. |
| 12 | 1 | 112-132 | HHCS 5/16-18 x 3.25 Gr5 Zn | 57 | 2 | 111-04 | Pin, Spirol 5/16x1.50 |
| 13 | 2 | 221535 | Clamp - Casing (BS #) | 58 | 1 | 107-01 | Retaining Ring |
| 14 | 1 | 601-86 | Clip, Retainer | 60 | | | See Section 3.0 Clutch System |
| 15 | 1 | 103-38 | HHCS 5/16-18 x 1.25 Gr5 Zn | 61 | 1 | 612-101 | Cable Asm, Throttle |
| 16 | 1 | 117-21 | Locknut, Nylon 5/16-18 Zn | 62 | 1 | 612-92 | Cable Asm, Choke |
| 17 | 1 | 126-95 | Filter, Oil | 63 | 1 | 117-68 | Nut, Jam 3/8-24 UNF Zn |
| 18 | | | See Section 3.0 Clutch | 64 | 1 | 108-32 | Lockwasher 3/8 Int. Tooth |
| 19 | 2 | 811-14 | Spacer | 66 | 2 | 103-18 | HHCS 3/8-24x1.25 Gr5 Zn |
| 20 | 2 | 108-71 | Spacer 5/16 ID x 7/16 OD x 13/32 LG | 67 | 4 | 108-06 | Lockwasher 3/8 Split Ring Zn |
| 21 | 1 | 112-57 | HHCS 5/8-11x10.00 Gr5 Zn | 68 | 2 | 108-18 | Washer 13/32x1.375x11GA |
| 22 | 3 | 117-83 | Locknut, Stover 5/8-11 Zn | 69 | 1 | 125-56 | Drive Belt |
| 23 | 3 | 811-09 | Washer, Square .64ID | 70 | 1 | 103-34 | HHCS 3/8-16x1.25 Gr5 Zn |
| 24 | 2 | 811-15 | Washer, Square lock .64ID | 71 | 1 | 110-09 | Key 1/4 x 1/4 x 3.0 |
| 25 | 2 | 112-58 | HHCS 5/8-11x7.50 Gr5 Zn | 72 | 1 | 108-46 | Washer .40 x 1.37 x .12 Hi-Carbon |
| 26 | 22 | 108-24 | Washer .34 x .70 x .06 Zn | 74 | 1 | 610-81 | Shift Gate, Transmission |
| 27 | 4 | 112-27 | HHCS 5/16-18x1.75 Gr5 Zn | 75 | 2 | 112-01 | HHCS 5/16-8x3/4 Gr5 Zn |
| 28 | 4 | 117-21 | Locknut, Nylon5/16-18Zn | 77 | 2 | 103-17 | HHCS 3/8-16x1.0 Gr5 Zn |
| 29 | 1 | 114-04 | Washer, Shim 1.19 x 1.50 x .04 | 78 | 2 | 108-26 | Washer 3/8 Zn |
| 30 | 2 | 127-35 | Grip, Molded Rubber | 79 | 1 | 603-29 | Guard, Belt Protect |
| 31 | 1 | 127-81 | Throttle Twist Grip | 80 | 1 | 601-92 | Vinyl Trim - 1.5" |
| 32 | | | See Section 1.0 Transmission | 81 | 1 | 601-93 | Vinyl Trim - 4.25" |
| 33 | as req | 108-36 | Washer .06x1.00x1.375 Zn | 83 | 1 | 126-87 | Spring, Parking Brake |
| 34 | 1 | 612-98 | Lever, Steering - LH | 84 | 1 | 612-80 | Holding Brake Lever |
| 35 | 1 | 612-99 | Lever, Steering - RH | 85 | 1 | 612-100 | Bracket Asm., Mech. Brake |
| 37 | 2 | 108-07 | Lockwasher 1/2 | 87 | 2 | 127-33 | Spring, Extension - Strg Lever |
| 38 | 2 | 117-06 | Nut, Fin Hex 1/2-13 Zn | | | | |
| 39 | 2 | 103-53 | HHCS 3/8-16x3.0 Full Thread | | | | |
| 40 | 2 | 112-52 | HHCS 1/2-13x7.0 Gr5 Zn | | | | |



| Ref. | Qty. | Part # | Description |
|------|------|---------|---|
| 1 | 3x2 | 117-46 | Locknut, 2-way 5/16-24 Zn |
| 3 | 1x2 | 108-12 | Washer, .34 x 1.00 x .06 Zn |
| 4 | 2x2 | 109-02 | Ball, Steel 1/4 Chromesteel |
| 6 | 2x2 | 100-10 | Spring, Compression |
| 7 | 1x2 | 103-16 | HHCS 5/16-24 x 3.75 Gr8 Zn |
| 8 | 1x2 | 103-29 | HHCS 5/16-24 x 2.75 Gr8 Zn |
| 10 | 8x2 | 120-11 | Rivet - 5/32 x 9/16 |
| 11 | 1x2 | 100-56 | Brake Pad, Set of 2 |
| 12 | 2x2 | 100-54A | Caliper, Brake |
| 13 | 1x2 | 100-72A | Brake Assembly (incl. Refs. 1 to 12) |
| 14 | | | See Section 4.0 Power Pack Assembly |
| 37 | 1 | 668-03 | Brake Cooling Kit - Van2 (incl. Refs. 38 to 59) |
| 38 | 1 | 100-62 | Switch, Light |
| 39 | | 125-92 | Adpt. & Mounting Kit (incl. Refs. 43 to 50) |
| 40 | 1 | 125-91 | Blower Fan |
| 41 | 4 | 120-13 | Rivet - 3/16 x 5/8 |
| 42 | 1 | 613-05 | Wire Harness |
| 43 | 1 | | Mounting Bracket |
| 44 | 1 | | Nut, #10-32 |
| 45 | 1 | See | Lockwasher, 3/16" |
| 46 | 1 | 125-92 | Screw, #10-32 x 2" |
| 47 | 2 | above | Nut, 1/4-20 |
| 48 | 2 | | Lockwasher, 1/4" |
| 49 | 2 | | Screw, 1/4-20 x 5/8" |
| 50 | 1 | | Adaptor, 3" dia. |
| 52 | 2 | 125-35 | Clamp, Gear 3.50" HF-52 |
| 53 | 1 | 127-44 | Hose, Intake 3" dia. x 46" |
| 54 | 1 | 601-89 | Intake Flange (specify colour) |
| 55 | 1 | 126-61 | Intake Screen |
| 56 | 4 | 112-56 | Pan HD Phil T/S #10 x 3/4 A Zn |
| 57 | 1 | 128-01 | Brake Cooling Duct |
| 58 | 1 | 118-02 | Terminal, Male - #76-1251 |
| 59 | 1 | 118-03 | Terminal, Female - #76-1289 |



Vanguard Parts Manual

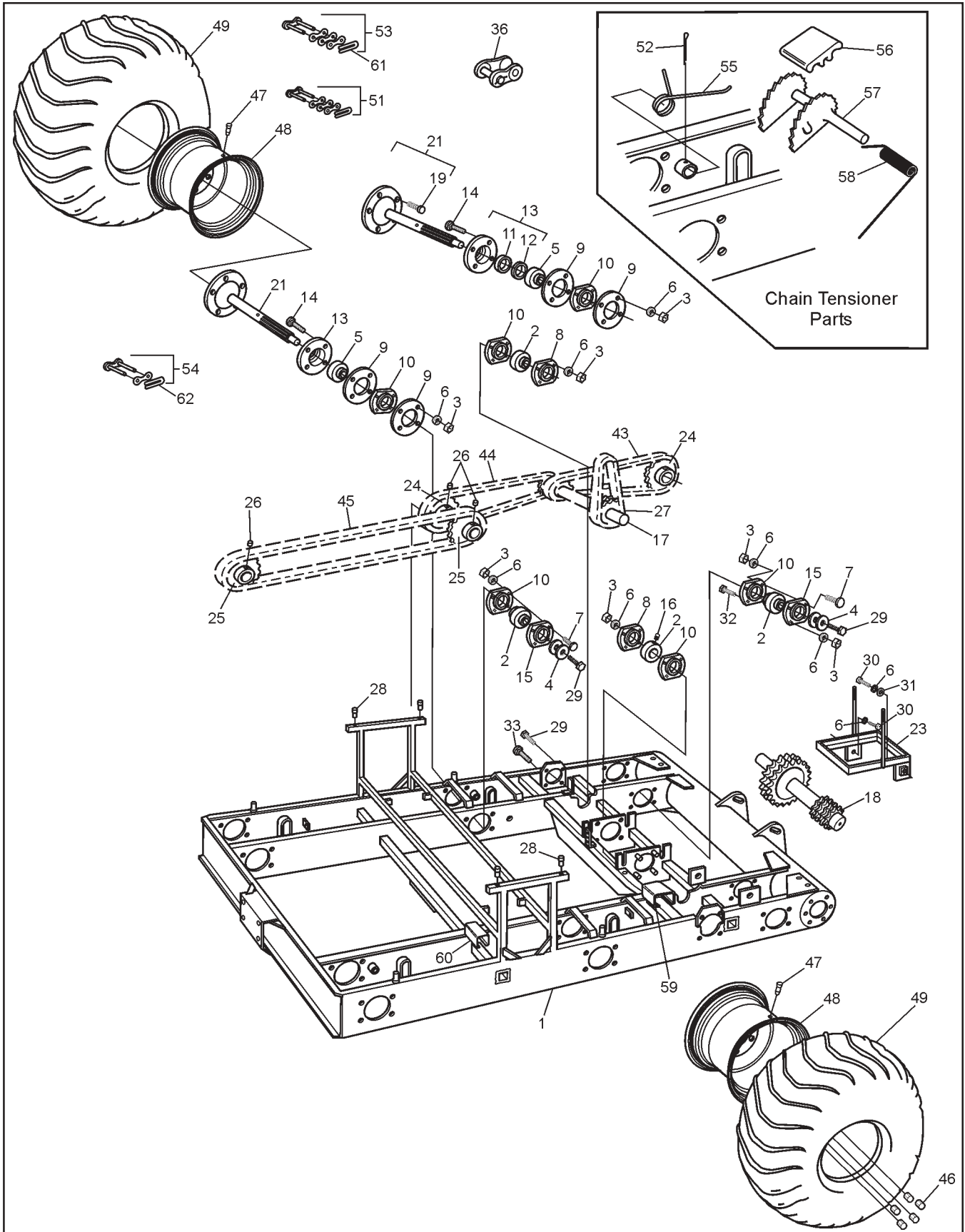
6.0 Vehicle Body & Firewall

| Ref. | Qty. | Part # | Description |
|------|------|----------|--|
| 1 | 1 | 601-32 | Body + Hood, Upper -Van. Replacement, specify colour (incl. Ref. 5,11,12,13,14,15 & 38) |
| 2 | 1 | 603-92BL | Body, Lower - 6x6, Black |
| 3 | 1 | 127-28 | Plug, Nylon - Black |
| 4 | 1 | 601-05 | Bumper, Vinyl - 6x6 |
| 5 | 1 | 602-37 | Hood Kit, Vanguard specify colour (incl. Ref 6 to 10, 18, 31 & 36) |
| 6 | 1 | 801-47 | Duct, Intake Transition, specify colour |
| 7 | 2 | 127-45A | Pin, Hinge |
| 8 | 2 | 127-45B | Knuckle, Hinge |
| 9 | 3 | 126-10 | Wing Stud |
| 10 | 3 | 126-09 | Grommet, Alum, #GH-7 |
| 11 | 1 | 602-24 | Hood Support Assembly |
| 12 | 6 | 120-15 | Rivet - 1/8 x 7/16 |
| 13 | 1 | 601-69 | Spring Plate |
| 14 | 3 | 126-11 | Spring |
| 15 | 2 | 112-19 | Screw, IHWH T/C Slot 1/4-20 x 1/2 |
| 16 | 1 | 602-29 | Brace, Dash |
| 17 | 1 | 601-08 | Vinyl Trim, 84" |
| 18 | 8 | 103-47 | HHCS 10-24 x 1/2 |
| 19 | 1 | 626-10 | Hitch Kit (Opt.) |
| 20 | 12 | 120-13 | Rivet - 3/16 x 5/8 |
| 21 | 2 | 613-75 | Bezel, Headlamp |
| 22 | 2 | 613-76 | Bracket, Headlight Backing |
| 23 | | | See Section 9.0 Electrical System |
| 24 | 8 | 103-24BL | OHPS T/S #6x1.00 Black Zn |
| 25 | 4 | 117-44 | T-Nut 1/4-20 |
| 26 | 42 | 120-24 | Rivet - Alum,3/32x3/8-all plates |
| 27 | 76 | 120-09 | Rivet - 3/16 x 1 |
| 28 | 1 | 601-44 | Nameplate, "ARGO" |
| 29 | 2 | 601-97 | Nameplate, 6x6 Vanguard |
| 30 | 1 | 609-37 | Firewall - Vanguard |
| 31 | 8 | 108-59 | Lockwasher, #10 Int. tooth Zn |
| 32 | 1 | 127-144 | Label, Warning - HOT |

| Ref. | Qty. | Part # | Description |
|------|------|--------|---|
| 33 | 4 | 103-48 | T/S Pan HD Phil #10x5/8 A Zn |
| 34 | 1 | 603-02 | Floor Pan, Front, specify colour |
| 35 | 1 | 603-03 | Floor Pan, Rear 6x6, specify colour |
| 36 | 51 | 120-04 | Washer, .19x.50x.08 Zn |
| 37 | 1 | 126-60 | Vinyl Strip 1/2"x1/4"x37.5' |
| 38 | 4 | 120-05 | Washer,.19x.50x.04 Zn |
| 39 | 4 | 100-16 | Clip, Hitch Pin 1.625 Zn |
| 40 | 2 | 100-18 | Plug, Drain 5/8" x 13/32" |
| 41 | 1 | 601-03 | Seat, Rear LH - 6x6 |
| 42 | 1 | 601-02 | Seat, Rear RH - 6x6 |
| 43 | 2 | 603-15 | Washer, Plastic |
| 44 | 2 | 108-01 | Washer, Fender 1/4 SAE Zn |
| 45 | 2 | 103-08 | HHCS 1/4-20 x 1.00 Zn |
| 46 | 2 | 127-01 | Reflector, Red |
| 47 | 1 | 108-06 | Lockwasher 3/8 Split Ring Zn |
| 48 | 1 | 103-89 | C/Bolt 3/8-16 x .75 Gr2 Zn |
| 49 | 1 | 602-27 | Support, Adjustable |
| 50 | 1 | 127-97 | Plate, Caution - Keyswitch |
| 51 | 1 | 126-65 | Shifting Plate |
| 52 | 1 | 117-15 | Nut, Fin. Hex 3/8-16 Zn |
| 53 | 1 | 126-67 | Floor Pan Plate |
| 54 | 1 | 126-68 | Operation Plate |
| 55 | 1 | 126-69 | Fuel Plate |
| 56 | 1 | 127-76 | Plate,Capacity - Land/Water Vehicle ID Plate |
| 57 | 1 | | U.S. Plate, Non U.S. Argos only |
| 58 | 1 | | Plate, Capacity - 6x6 |
| 59 | 1 | 127-51 | Dash Handle (incl. 62) |
| 60 | 1 | 125-41 | Plug cap (avail. only with 61) |
| 61 | 2 | | Locknut, Nylon #10-24 Zn |
| 62 | 3 | 117-10 | Bumper, Rubber |
| 63 | 1 | 126-88 | PHMS #10-24 x 3/4" Zn |
| 64 | 3 | 103-25 | Clip, Hood |
| 65 | 1 | 602-38 | |
| 66 | 1 | | |

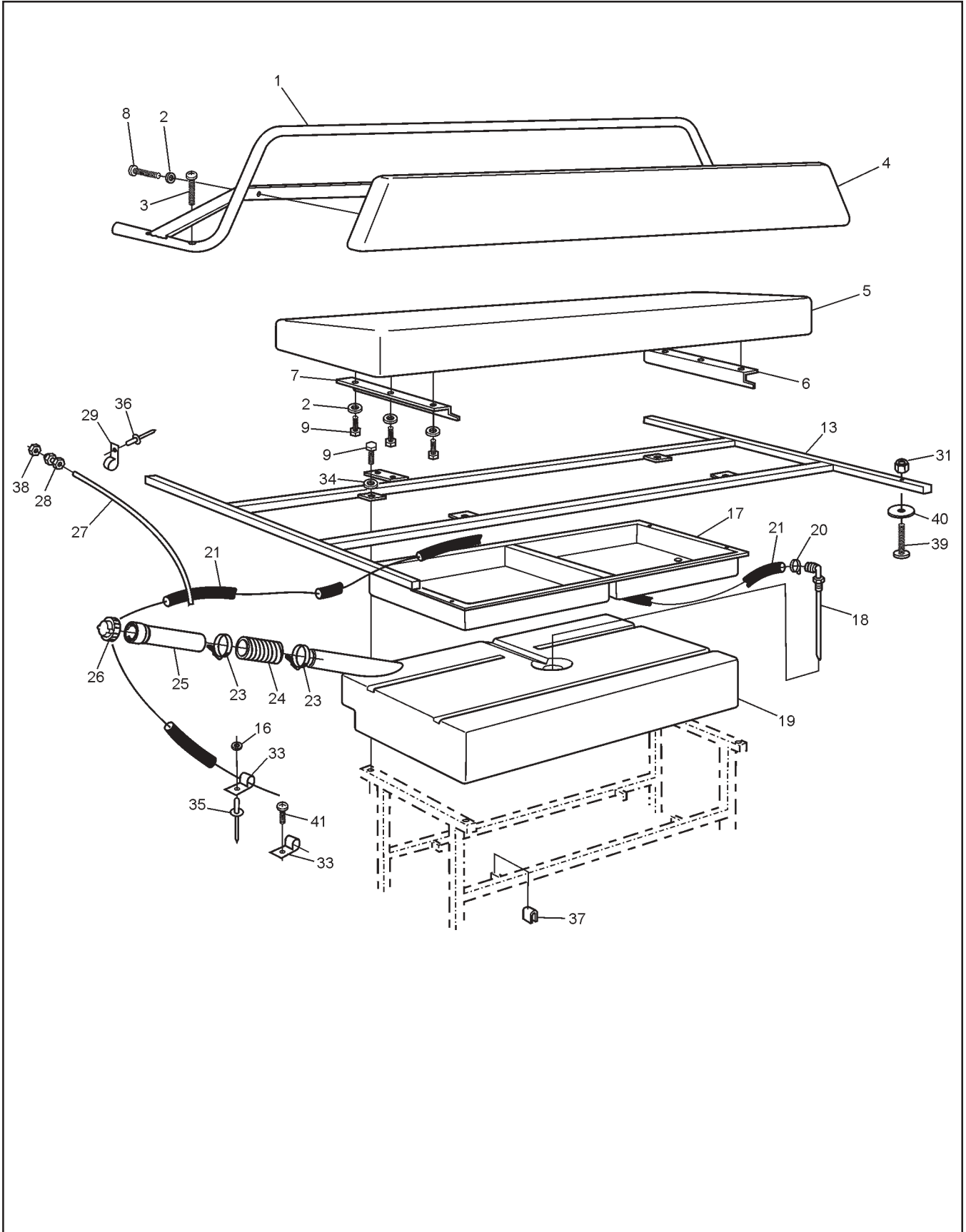
7.0 Frame and Drive System

Vanguard Parts Manual



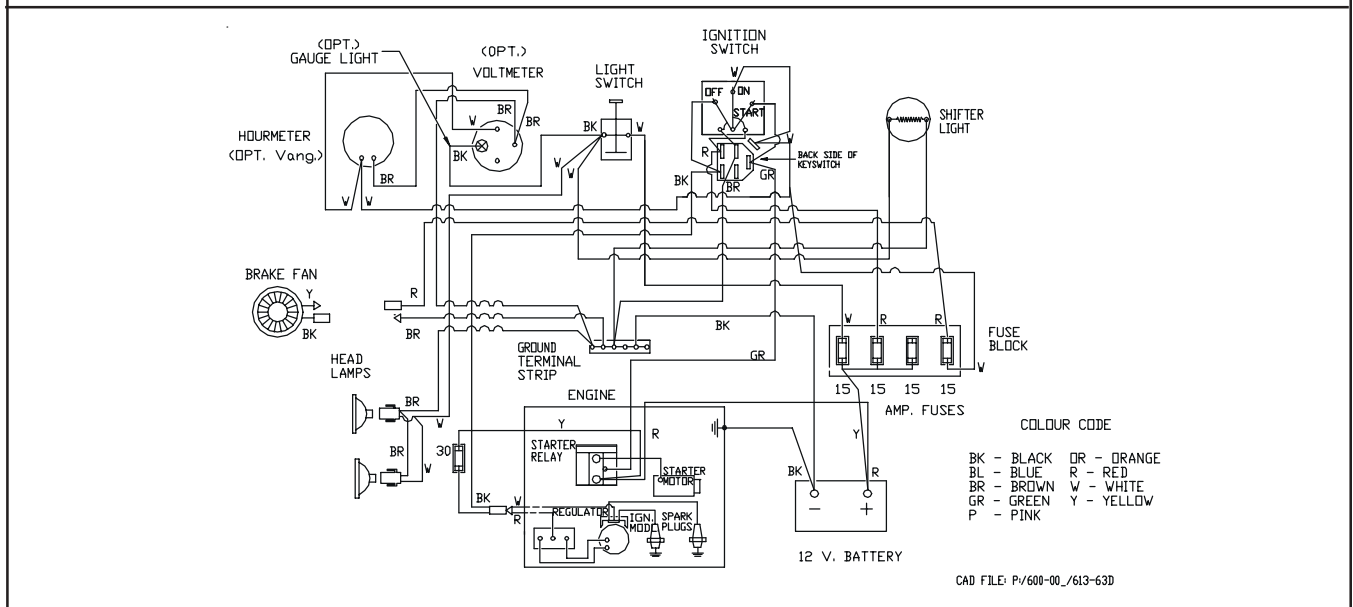
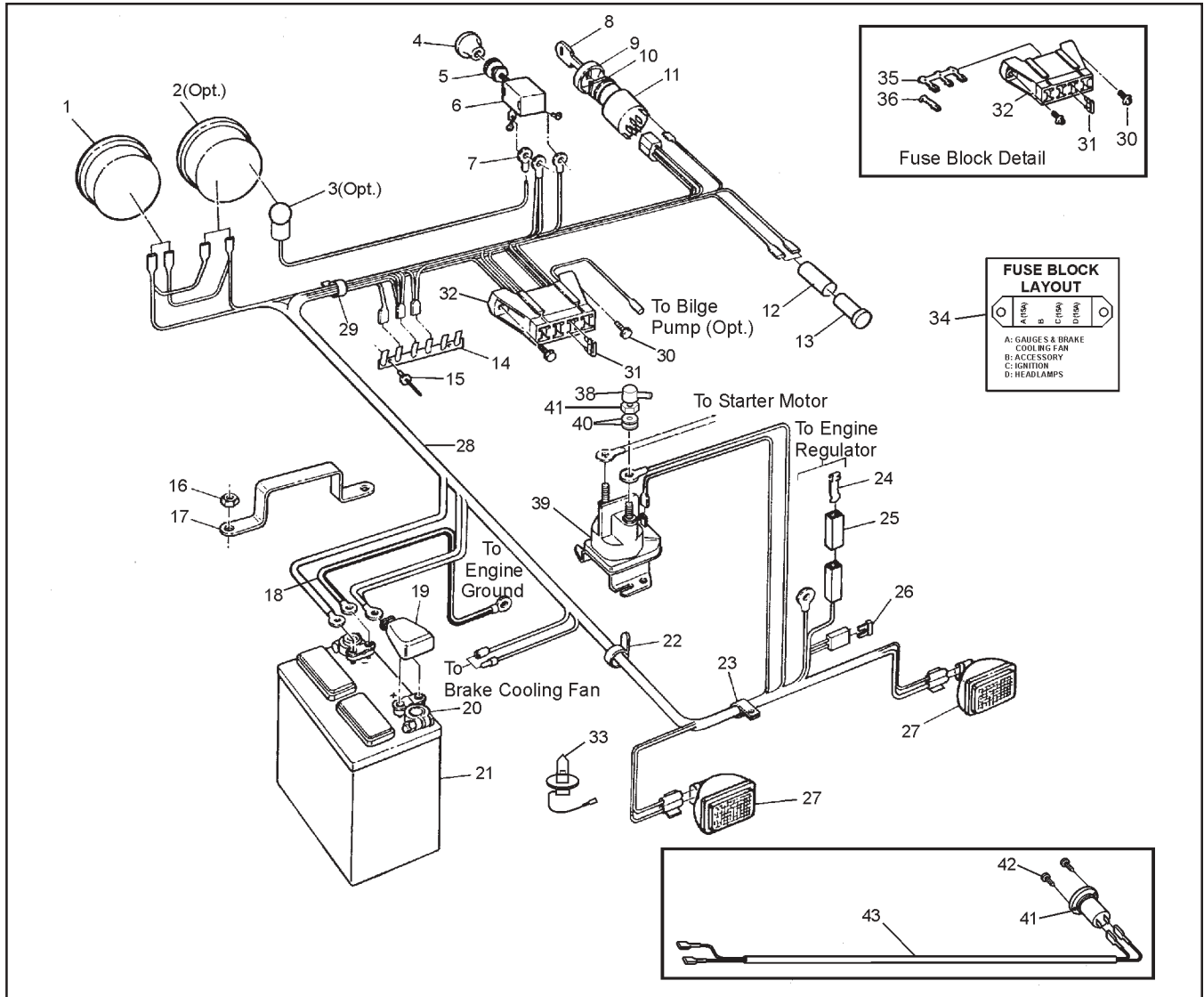
| Ref. | Qty. | Part # | Description |
|------|------|---------|---|
| 1 | 1 | 606-60 | Frame Asm - 6x6 |
| 2 | 10 | 101-41 | Bearing, Ball - 1.0 |
| 3 | 64 | 117-29 | Locknut, Nylon 3/8-16 Zn |
| 4 | 12 | 108-46 | Washer .40 x 1.37 x .12 Hi-Carbon |
| 5 | 6 | 101-35 | Bearing, Ball - 1.25 |
| 6 | 66 | 108-15 | Washer .42 x .81 x .05 |
| 7 | 22 | 103-88 | C/Bolt 3/8-16 x 1.0 Gr5 Zn |
| 8 | 4 | 101-80 | Flange, Greaseable - 90 Degree |
| 9 | 12 | 605-89 | Gasket, Outer Bearing Flange |
| 10 | 16 | 605-63 | Flange - 4-hole |
| 11 | 6 | 102-14 | Seal, Oil 1.25 x 1.75 x 0.188 |
| 12 | 6 | 102-15 | Seal, Oil 1.25 x 1.874 x 0.25 |
| 13 | 6 | 605-97 | Flange Ass'y Outer (incl. Refs. 11 & 12) |
| 14 | 24 | 112-39 | C/Bolt 3/8-16 x 1.75 Gr5 Zn |
| 15 | 6 | 101-20 | Flange Greaseable - 4 Hole |
| 16 | 4 | 112-60 | SHSS 1/4 x 28 x 1/2 Cup Pt. |
| 17 | 1 | 606-30 | Idler Asm. - L4 x 11T 2 x 24T |
| 18 | 1 | 606-31 | Idler Asm. - R4 x 11T 2 x 24T |
| 19 | 5x6 | 103-80 | Stud, Wheel 7/16-20 x 1.125 #B271 |
| 21 | 6 | 810-75 | Axle Assembly (incl. Ref. 19) |
| 23 | 1 | 604-84 | Frame Assembly, Battery |
| 24 | 4 | 810-28 | Sprocket, Double - 24T |
| 25 | 4 | 606-34 | Sprocket - S60 x 19T |
| 26 | 6 | 112-03 | SHSS 5/16-18 x 3/8 1/2 DOG, PL |
| 27 | 2 | 603-22 | Chain, Idler RC40-2 x 46P (incl. Ref 51) |
| 28 | 4 | 117-64 | Insert, 1/4-20 |
| 29 | 10 | 112-31 | HHCS 3/8-16 x 1.0 2B Gr8 Zn |
| 30 | 2 | 112-14 | HHCS 3/8-16 x .75 Gr5 Zn |
| 31 | 1 | 108-15 | Washer 3/8 SAE Zn |
| 32 | 2 | 103-82 | HHCS 3/8-16 x 1.5 Gr5 Zn |
| 33 | 4 | 112-61 | C/Bolt 3/8-16 x 1.25 Gr5 Zn |
| 36 | | 127-80 | Link, Half - RC60 - 1 (opt.) |
| 43 | 2 | 603-17 | Chain RC50 - 2 x 42P - Front (incl. Ref 53) |
| 44 | 2 | 603-26 | Chain RC50 - 2 x 76P - Mid (incl. Ref 53) |
| 45 | 2 | 603-83 | Chain RC60 - 1 x 88P - Rear (incl. Ref 53) |
| 46 | 5x6 | 117-35 | Nut, Wheel 7/16-20 Zn |
| 47 | 6 | 125-26 | Valve, Tire |
| 48 | 6 | 125-13C | Rim - 8x7 - 5 bolt - Charcoal |
| 49 | 6 | 126-96 | Tire, Goodyear Runamuk 22 x 10-8 |
| 51 | 1x2 | 100-97 | Con. Link, RC40-2 H.D. |
| 52 | 4 | 100-01 | Pin, Cotter 1/8 x 1.50 Zn |
| 53 | 1x4 | 100-96 | Con. Link, RC50-2 H.D. |
| 54 | 1x2 | 603-84 | Con. Link, RC60-1 STD. |
| 55 | 4 | 127-65 | Spring Torsion - 1.16 x 0.35 |
| 56 | 4 | 606-39 | Slider Block - 1/2" Shaft |
| 57 | 4 | 606-35 | Tensioner Asm, Chain |
| 58 | 4 | 127-64 | Spring, Torsion - .76 x 1.9 |
| 59 | 2 | 606-41 | Slide, Chain - 2" |
| 60 | 2 | 606-42 | Slide, Chain - 1.25" |
| 61 | 6 | 603-95 | Spring Clip - RC 50 Closed |
| 62 | 4 | 603-96 | Spring Clip - RC 60 Closed |

8.0 Fuel System & Seat Assembly Vanguard Parts Manual



Vanguard Parts Manual 8.0 Fuel System & Seat Assembly

| Ref. | Qty. | Part # | Description |
|------|------|--------|--|
| 1 | 1 | 803-50 | Handrail Assembly |
| 2 | 10 | 108-03 | Lockwasher , Split Ring 1/4" |
| 3 | 2 | 112-41 | PHMS, Phil 1/4-20x1.25 Zn |
| 4 | 1 | 608-39 | Back Pad Assembly |
| 5 | 1 | 608-43 | Seat, Bench |
| 6 | 1 | 608-30 | Angle - Left |
| 7 | 1 | 608-31 | Angle - Right |
| 8 | 4 | 103-03 | PHMS, Phil 1/4-20 x 1.50 Zn |
| 9 | 10 | 112-04 | HHCS 1/4-20x3/4 Gr2 Zn |
| 13 | 1 | 804-17 | Frame Assembly, Seat |
| 16 | 3 | 120-04 | Washer, .195x.50x.08 Zn |
| 17 | 1 | 608-32 | Tool Box |
| 18 | 1 | 608-86 | Pickup, Fuel, 1/4" x 6.75" (see Ref. 19) |
| 19 | 1 | 608-24 | Tank, Fuel 32 litre (incl. Ref. 18) |
| 20 | 2 | 112-79 | Clamp, Hose, 1/2" - Black |
| 21 | 1 | 608-42 | Fuel Hose, 110" |
| 23 | 2 | 100-12 | Clamp, Gear 2.25" HF36 |
| 24 | 1 | 125-94 | Hose, Filler |
| 25 | 1 | 126-47 | Fuel Neck Assembly |
| 26 | 1 | 126-46 | Cap, Fuel |
| 27 | 1 | 126-77 | Hose, Vent 93" 6x6 |
| 28 | 1 | 126-50 | Male Connector, 1/4" |
| 29 | 5 | 126-94 | Clamp, Nylon Wire, 1/4" ID |
| 31 | 12 | 117-10 | Locknut, Nylon #10-24 Zn |
| 33 | 4 | 126-93 | Clamp, Nylon Wire, 1/2" ID |
| 34 | 4 | 108-08 | Washer 1/4 SAE Zn |
| 35 | 3 | 120-09 | Rivet - 3/16 x 1 |
| 36 | 6 | 120-13 | Rivet - 3/16 x 5/8 |
| 37 | 4 | 702-06 | Foam Cushion |
| 38 | 1 | 117-54 | Locking PAL Nut, 1/2-20 Zn |
| 39 | 12 | 112-07 | RHMS, 10-24 x 1.25 Zn |
| 40 | 12 | 108-42 | Washer, .062 x 7/32 x 1.00 Zn |
| 41 | 1 | 103-48 | T/S Pan HD Phil #10-5/8 A Zn |



| Ref. | Qty. | Part # | Description |
|------|------|---------|---|
| 1 | 1 | 632-15 | Hourmeter #56458-10 (#876EM) |
| 2 | 1 | 633-10 | Voltmeter #07583-15 (#830EM)(opt.) |
| 3 | 2 | 634-10 | Light Kit, #06215-00 5/8" dia, see Ref. 32 & 33 (opt.) |
| 4 | 1 | 126-76 | Knob, Light |
| 5 | 1 | 108-55 | Lockwasher 7/16 Ext. Tooth |
| 6 | 1 | 100-62 | Switch, Light |
| 7 | 1 | 118-30 | Terminal, Eye - #10 |
| 8 | 2 | 127-108 | Key,molded |
| 9 | 1 | 127-107 | Cover, nut |
| 10 | 1 | 127-106 | Nut, flanged - plastic |
| 11 | 1 | 127-105 | Switch - Ignition |
| 12 | 1 | 118-48 | Heat Shrink |
| 13 | 1 | 634-08 | Light, Indicator |
| 14 | 1 | 613-37 | Terminal Strip, Ground |
| 15 | 2 | 120-15 | Rivet 1/8 x 7/16 |
| 16 | 2 | 117-21 | Locknut, Nylon 5/16-18 Zn |
| 17 | 1 | 604-52 | Bracket, Battery Retaining |
| 18 | 1 | 613-14 | Ground Wire |
| 19 | 1 | 127-55 | Cap, Battery Terminal - Red |
| 20 | 2 | 127-56 | Terminal, Battery Post |
| 21 | 1 | 127-54 | Battery, Exide 45-60 |
| 22 | 8 | 100-64 | Tie Wrap - 5.5" - Black |
| 23 | 10 | 126-93 | Clamp, Nylon Wire - 1/2" ID |
| 24 | 1 | 118-56 | Contact |
| 25 | 1 | 118-57 | Connector Housing |
| 26 | 1 | 118-51 | Fuse, 30A 2-prong (AT030) |
| 27 | 2 | 613-69 | Headlamp, Halogen (incl. Ref. 33) |
| 28 | 1 | 613-63 | Wire Harness |
| 29 | 1 | 127-24 | Clamp, Nylon - 1" ID |
| 30 | 2 | 112-51 | Screw, IHWH T/C #10-24x5/8 |
| 31 | 4 | 118-49 | Fuse, 15 A 2-prong (AT015) |
| 32 | 1 | 118-60 | Block Fuse - 8 position (4 fuse) |
| 33 | 2 | 127-46 | Bulb, Headlight - Halogen |
| 34 | 1 | 127-127 | Label, Fuse Panel (located on Guard, Belt Protect - see pg.5) |
| 35 | 1 | 118-63 | Terminal, Fuse - Triple |
| 36 | 5 | 118-62 | Terminal, Fuse - Single |
| 37 | 1 | 613-90 | Outlet, 12 Volt DC |
| 38 | 1 | 613-45 | Insulator, Terminal (6 ga.) |
| 39 | 1 | 613-68 | Starter Relay |
| 40 | 5 | 108-03 | Lockwasher 1/4 Zn |
| 41 | 2 | 117-20 | Nut, Fin. Hex 1/4-20 Zn |
| 42 | 3 | 112-139 | #4 Phil Drive Oval Head Screw, Black |
| 43 | 1 | 613-91 | Wire Harness, 12V Acc. Outlet |

ARGO Products Manufactured by:

Ontario Drive & Gear Limited

220 Bergey Court
New Hamburg, Ontario
Canada N3A 2J5
Phone: (519) 662-2840
Fax: (519) 662-2421
www.argoatv.com

ODG *Dedicated to quality and performance*