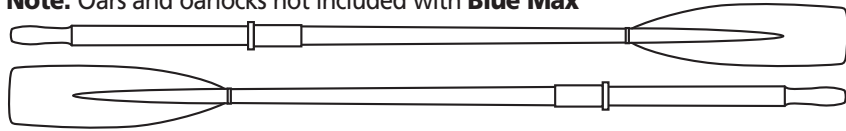


Sail Kit and RID Kit Assembly Instructions

Blue Max™

- 1) Read **Owner's Safety Manual & Assembly Instructions Walker Bay 8 - Walker Bay 10**
- 2) Assemble hull as directed in the above Manual for a **Walker Bay 8**
- 3) Assemble Sail Kit and RID Kit as directed in following **Blue Max Sail & RID Kit Assembly Instructions**

Note: Oars and oarlocks not included with **Blue Max**



IMPORTANT SAFETY INFORMATION

- READ OWNERS MANUAL. IMPROPER USE MAY CAUSE INJURY OR DEATH.
- EACH PASSENGER MUST HAVE AN APPROVED PERSONAL FLOTATION DEVICE.
- CARRY AN OAR AND BAILER ON BOARD WHILE SAILING.
- USE A BUDDY SYSTEM, SAIL WHERE PEOPLE CAN SEE AND HELP YOU IF NECESSARY.
- DO NOT USE A MOTOR OR SAIL UNLESS YOU USE THE EQUIPMENT IN THE MANNER INTENDED AND/OR AS DESCRIBED IN THE MANUAL.
- DO NOT USE THIS BOAT UNDER THE INFLUENCE OF DRUGS OR ALCOHOL.
- DO NOT USE THIS BOAT IF YOU SUSPECT A CRACK OR A HOLE. IT MAY BE UNSAFE.
- USE CAUTION WHEN ENTERING OR EXITING THE BOAT.
- KEEP YOUR WEIGHT CENTERED AND DISTRIBUTE THE WEIGHT OF GEAR AND PASSENGERS EVENLY.
- DO NOT USE THIS BOAT AS A TOW CRAFT.
- THIS BOAT IS NOT A TOY. ADULT SUPERVISION ADVISED.
- PARTS AND SPECIFICATIONS SUBJECT TO CHANGE WITHOUT NOTICE.
- FOR SAFETY INFORMATION OR PARTS, CALL WALKER BAY BOATS AT:
(888) 44-WALKER OR (604) 682-5699.



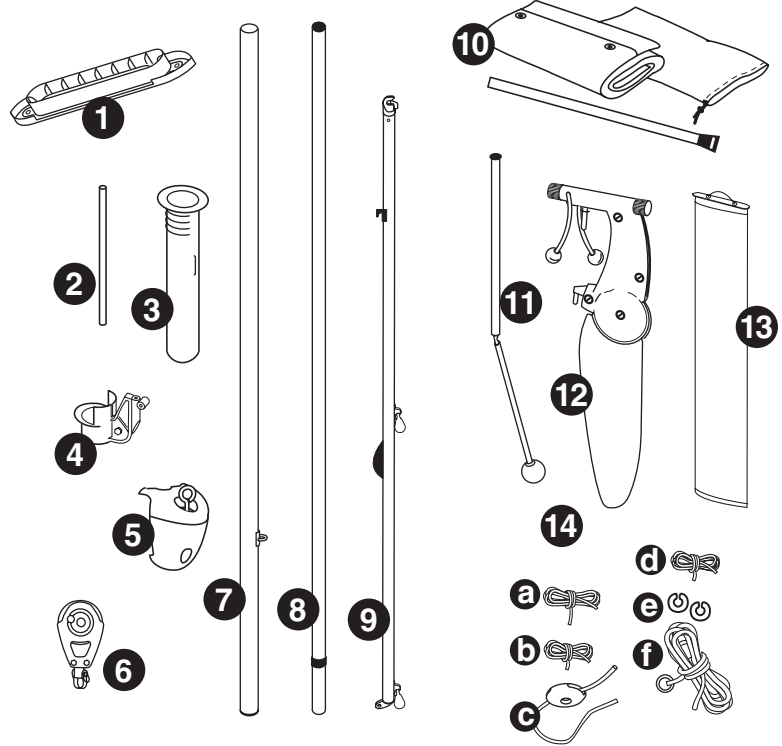
Walker Bay
boats

Part #14035
Rev. #JS0604
Rev Date: 06.18.04

Checklist of Sailing Components

(Specifications and contents subject to change without notice)

1. Open Keel Plate Cover #17015.....1
2. Wooden Dowel #24065.....1
3. Mast Support Tube #17145.....1
4. Mast Support Clamp #23070.....1
5. Seat Block Clamp #26039.....1
6. Ratchet Block #17097.....1
7. Lower Mast Half (w. gooseneck ring) #24020.....1
8. Upper Mast Half #24010.....1
9. Boom #24000.....1
10. Blue Max Sail w. Bag #27000.....1
11. Telescoping Tiller Handle, 8PP #24034.....1
12. Rudder, 8PP (retractable w. pintles) #24039.....1
13. Daggerboard 40" (1.0 m), aluminum #24057.....1
14. Line Kit, Blue Max #23066
 - a. Outhaul: 58" (1.47m) black.....1
 - b. Cunningham: 32" (0.81m) red.....1
 - c. Vang: 60" (1.53m) black.....1
 - d. Traveller: 63" (1.27m) black.....1
 - e. "C" Clips #17086.....2
 - f. Mainsheet w. Traveller Ring: 275" (7.0m) black.....1



Assembly and Operation

Follow Steps A through K

Page 3

- A. Opening the Daggerboard Well and Keel Cover Plate
- B. Installing the Mast Support Tube and Collar
- C. Attaching the Seat Block Clamp and Ratchet Block

Page 4

- D. Raising the Sail
- E. Installing the Boom, Clew, and Outhaul
- F. Installing the Vang, and Cunningham

Page 5

- G. Securing the Mainsheet and Traveller
- H. Installing the Tiller Handle
- I. Operating the Rudder and Tiller and Installing the Daggerboard

- J. Reefing the Sail

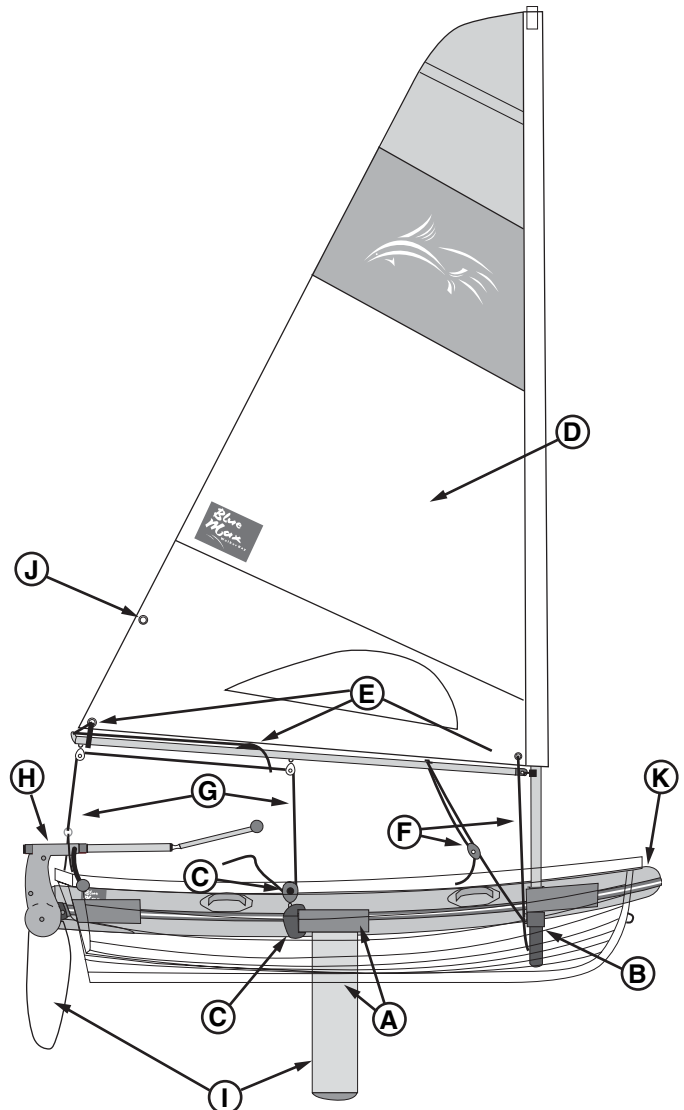
Page 6 and 7

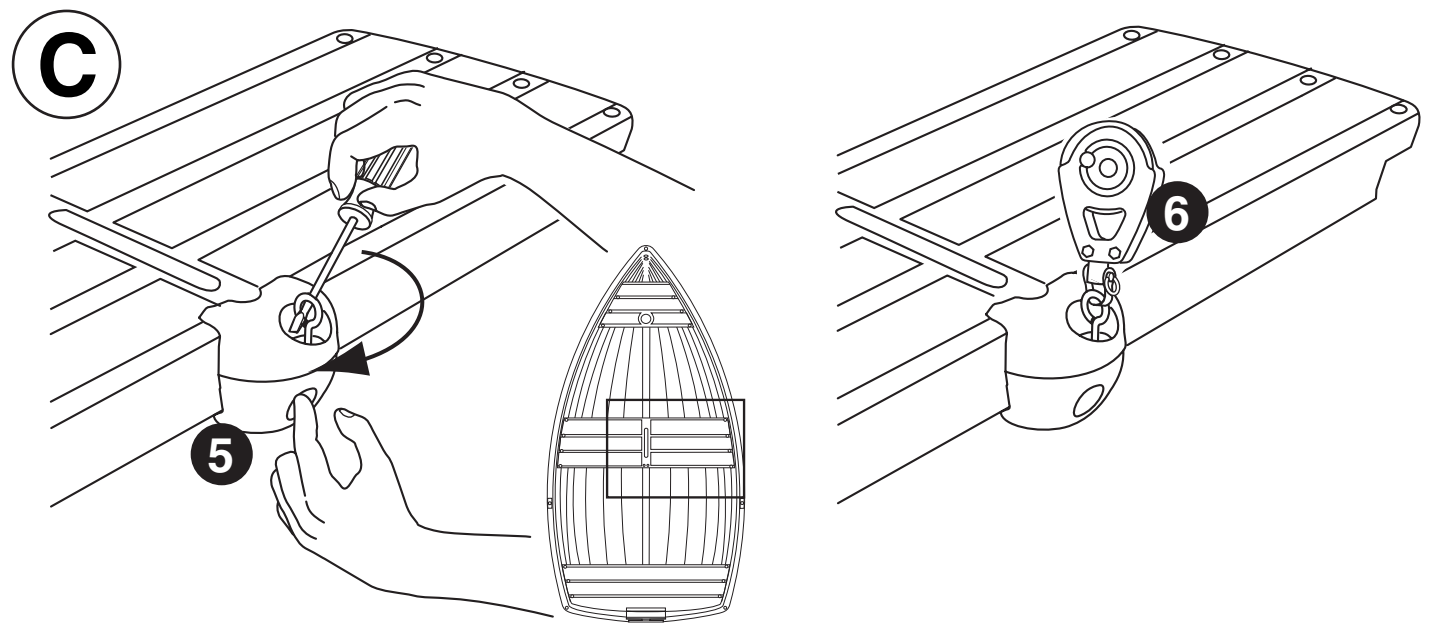
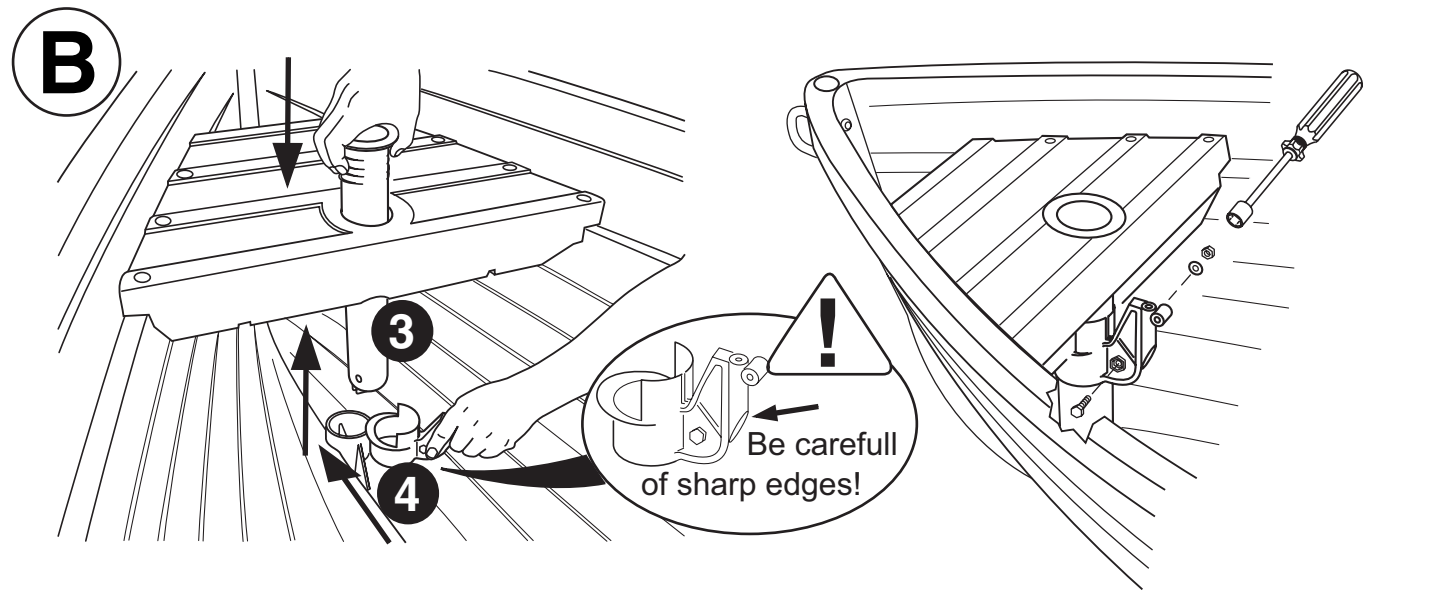
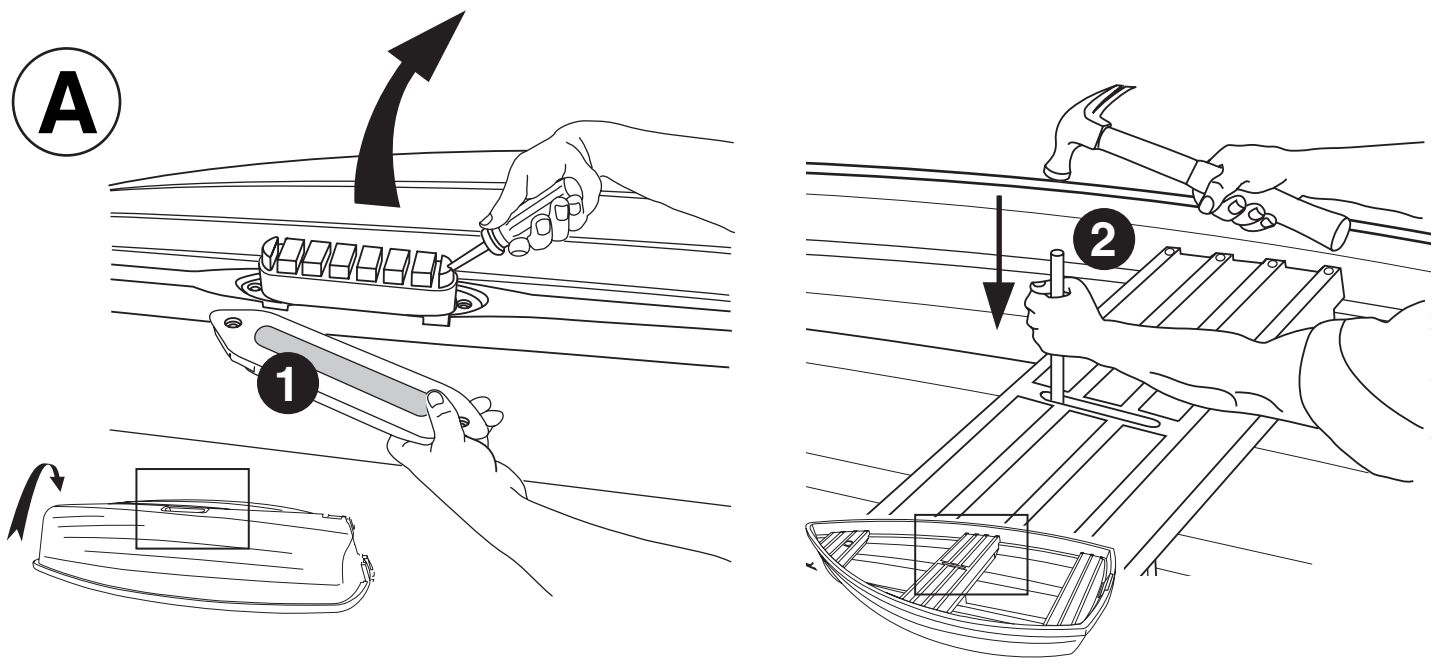
- K. Installing the RID tube

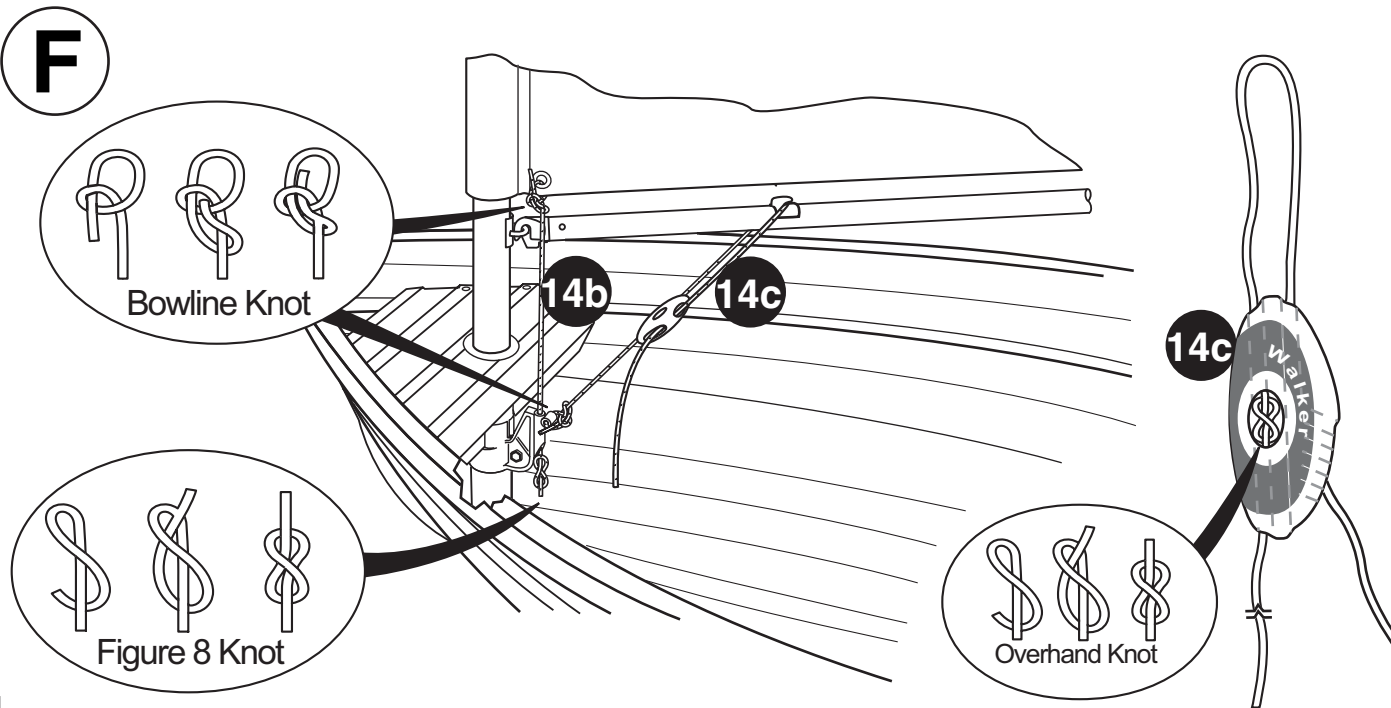
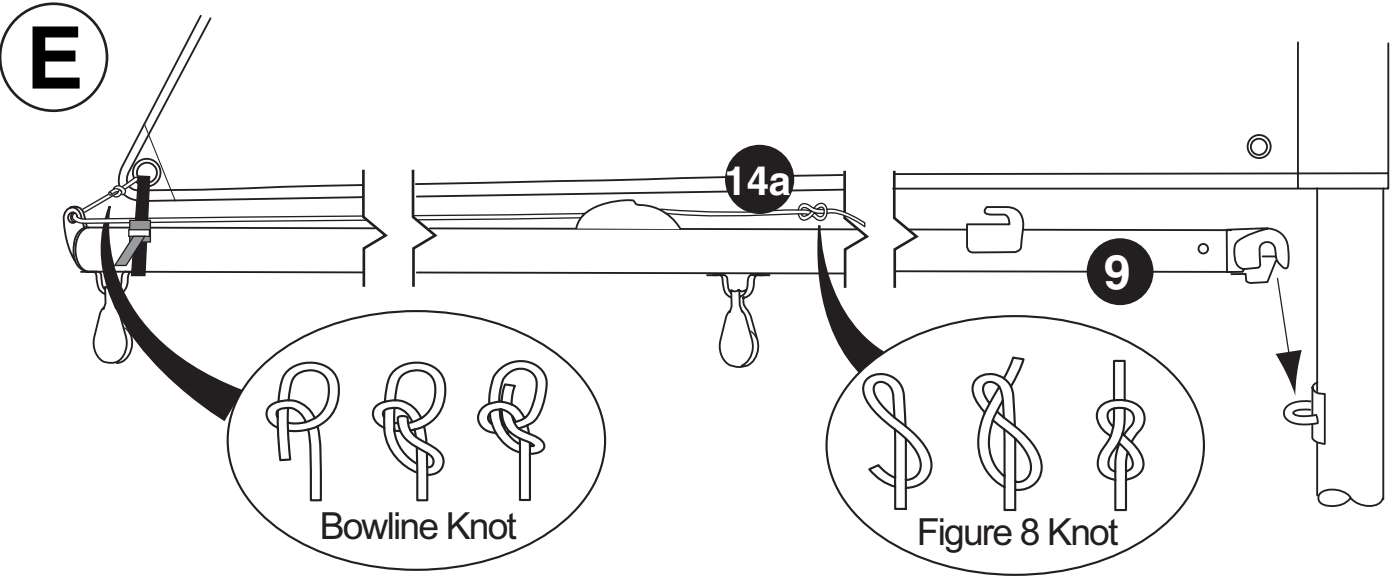
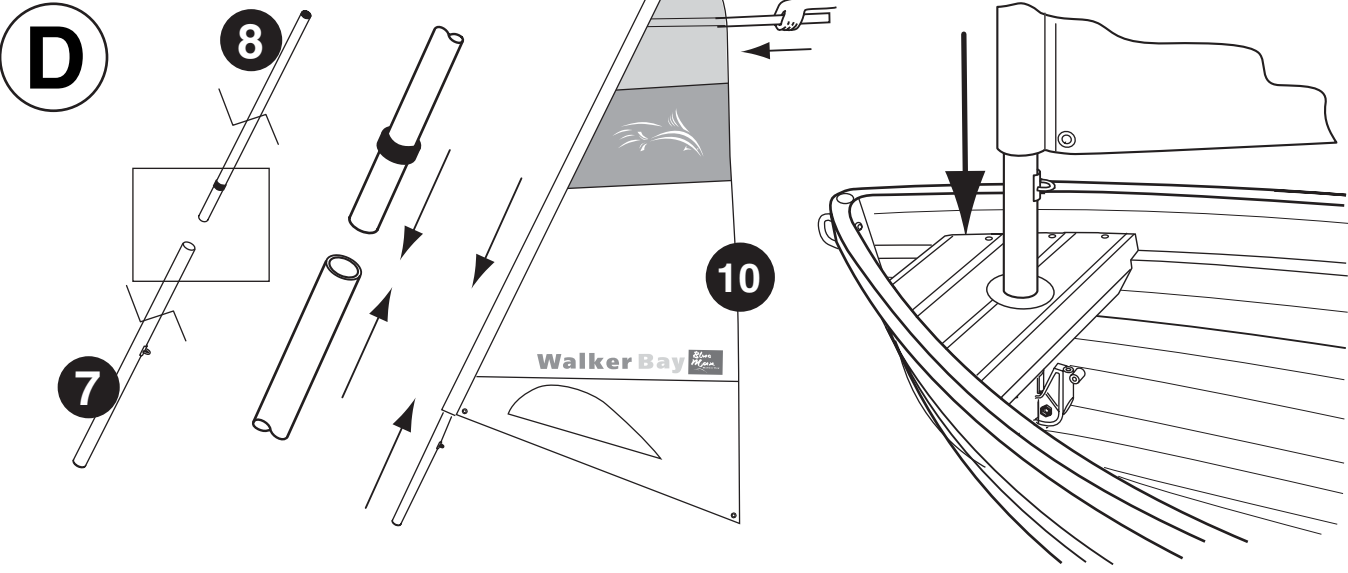
Page 8

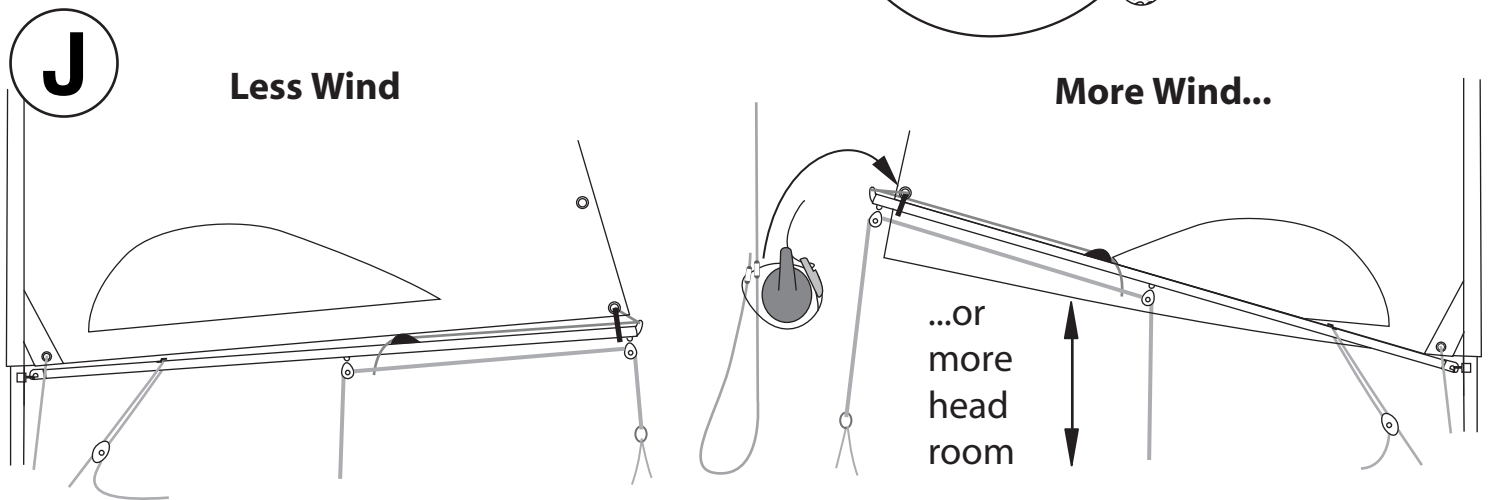
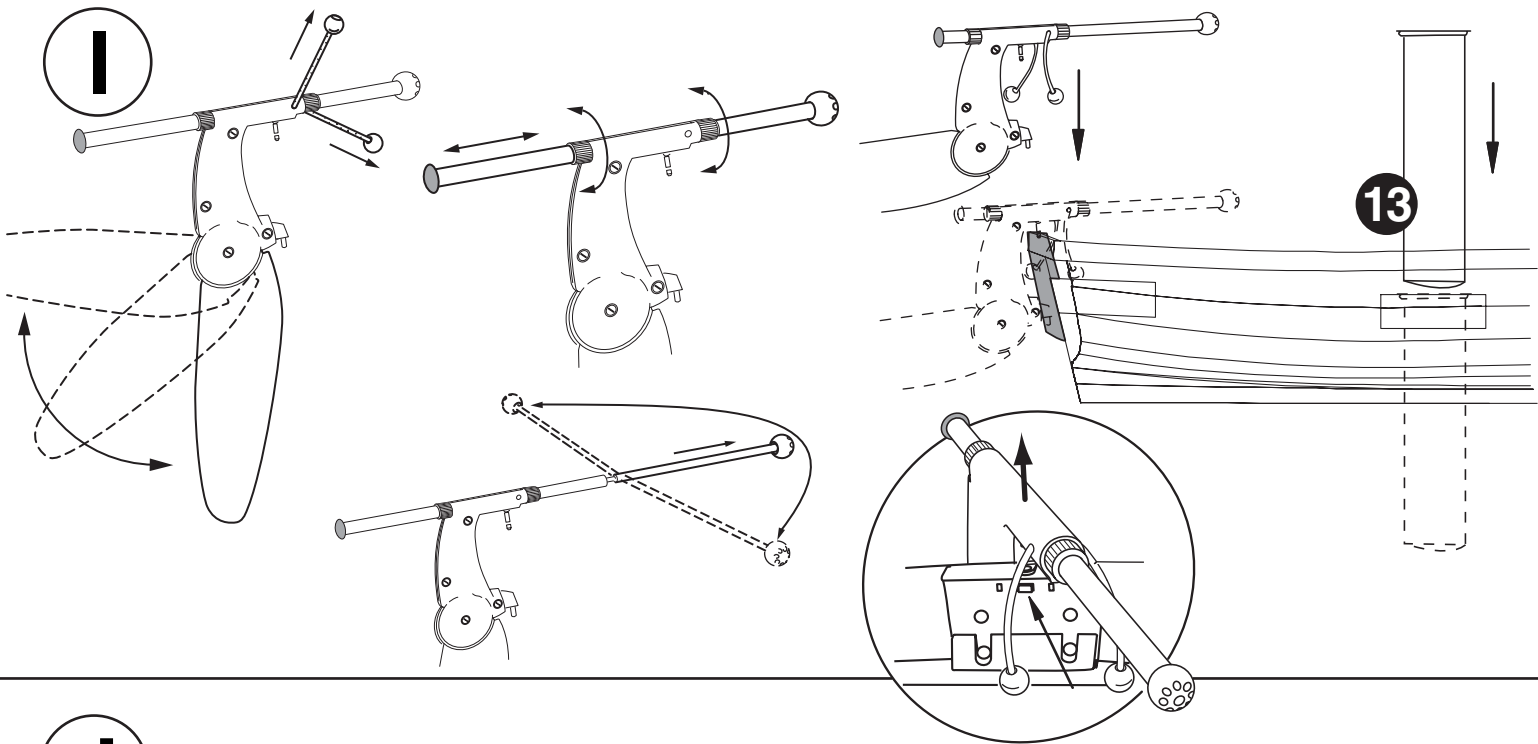
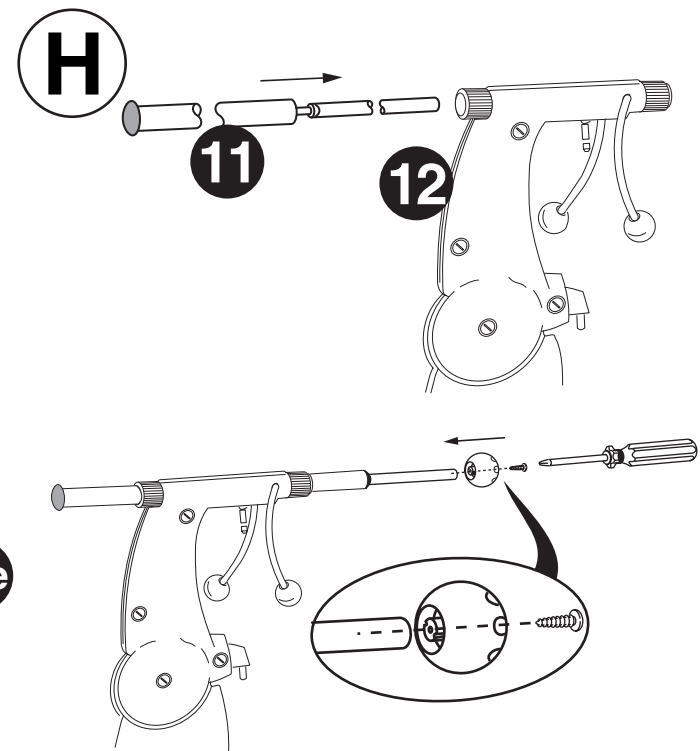
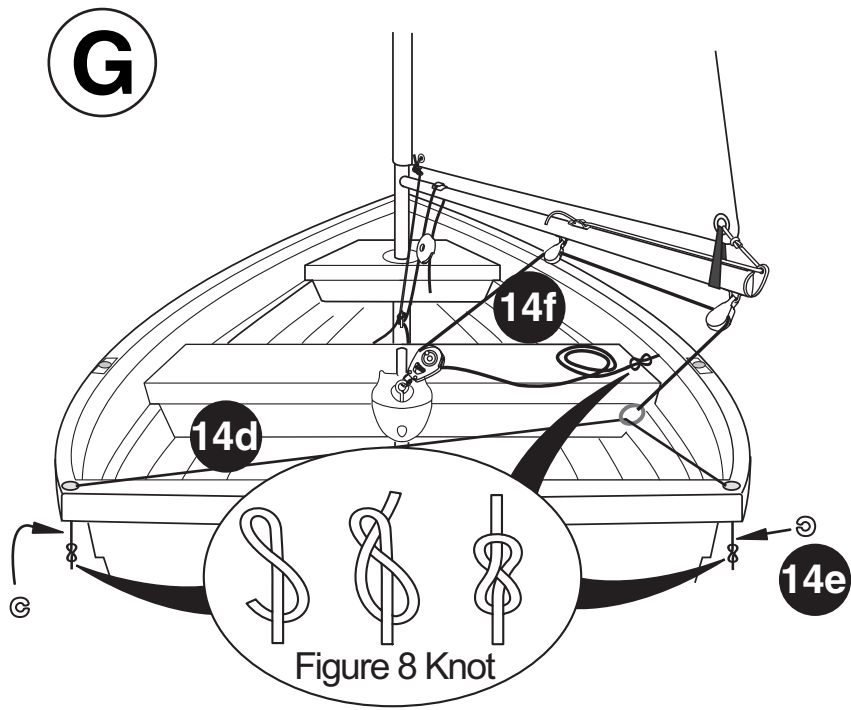
Sailing Positions

Righting the Boat After Capsize









K**Assembly Tips**

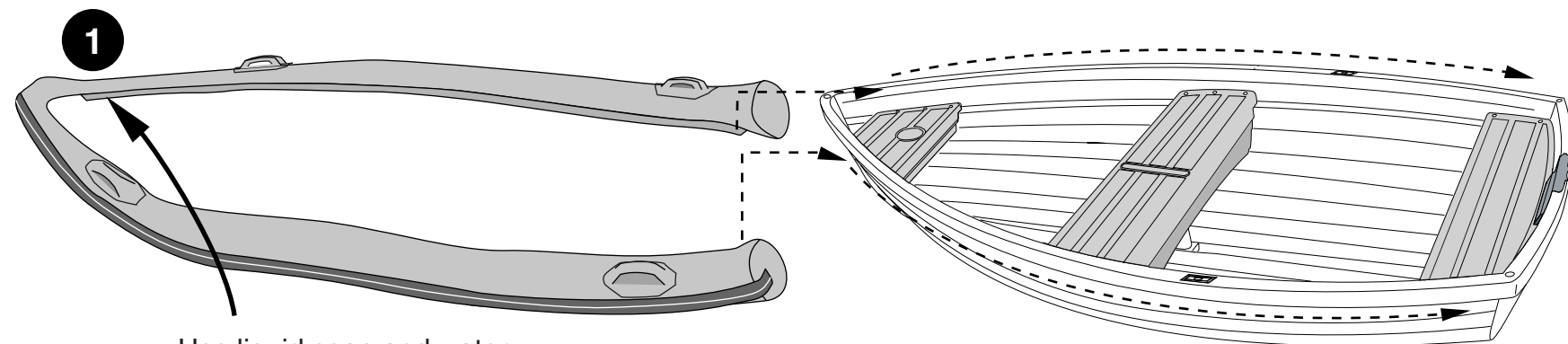
- Apply a small amount of liquid soap inside the aluminum track to help slide the tube on with greater ease.
- Partially inflate the tube (1/4 Full) to help slide the tube on.

Storage and Maintenance

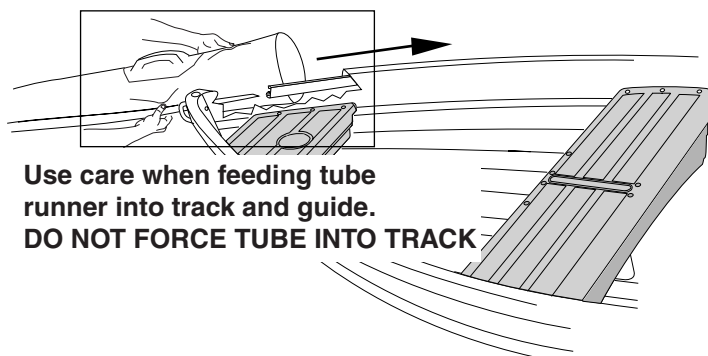
- Avoid storing the tube in sunlight.
- Avoid contact with sharp or abrasive objects.
- Use a boat cover (Available from Walker Bay).
- For longterm or winter storage you may remove the tube and rinse it with soapy fresh water (Do not use harsh or abrasive cleaners).
- Store the tube in a safe, clean and dry place.
- If you store the boat with the tube attached you must release some air pressure as the air inside the tube expands and contracts with temperature variation.
- Using the valve wrench located in the orange fabric repair kit tighten each valve until it is snug. **DO NOT OVERTIGHTEN.** This should be done about 4 times per year.

Repairs

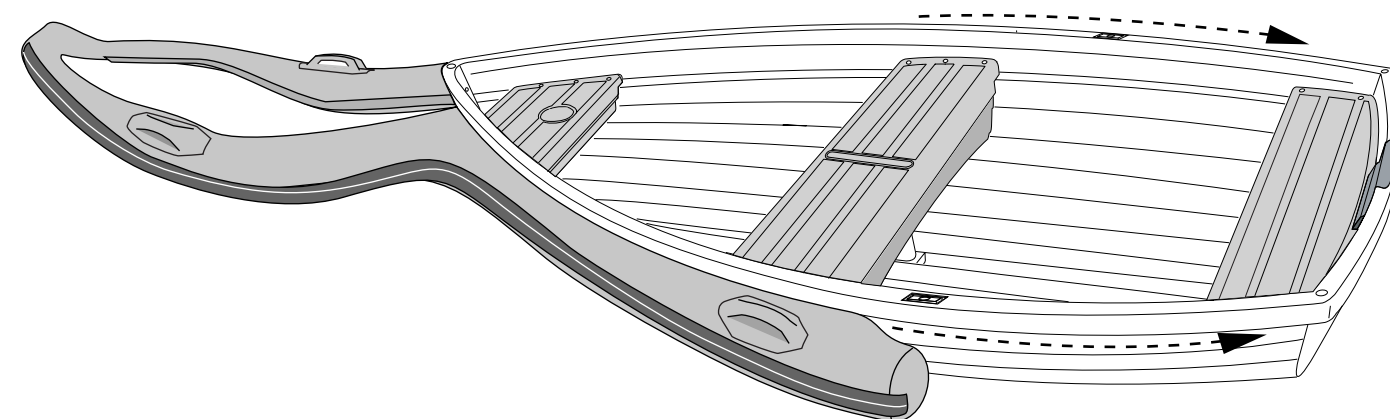
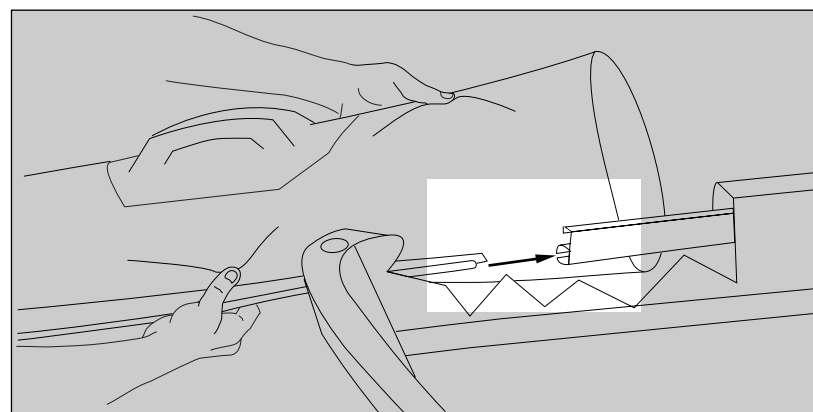
- Minor punctures and leaks can be repaired with the repair kit included with your boat.
- Follow the directions provided with the repair kit.
- For significant repairs contact your dealer or Walker Bay Boats' customer service.



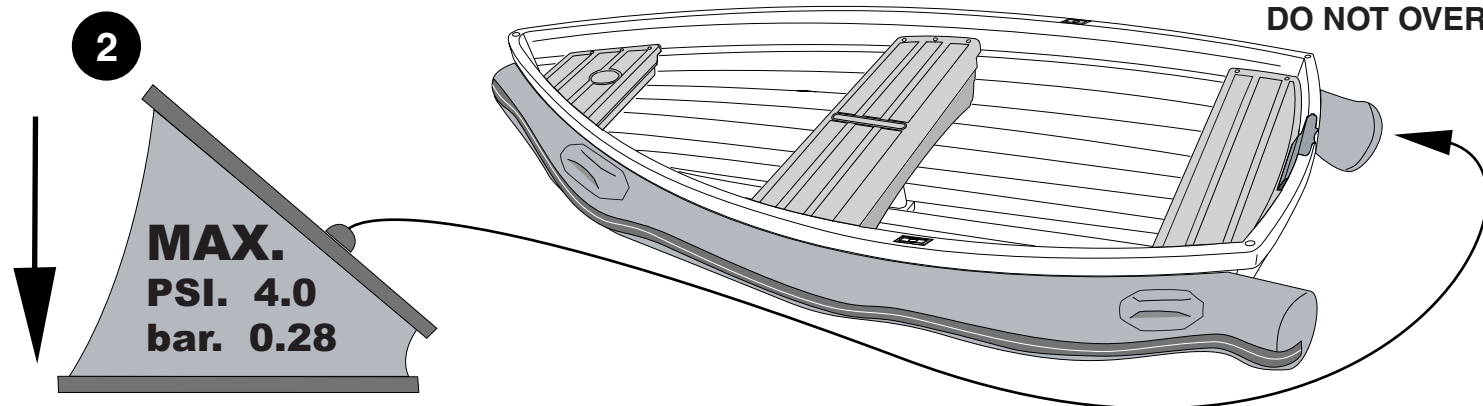
Use liquid soap and water on the track runner on the tube to help slide the tube on with greater ease.



Use care when feeding tube runner into track and guide. **DO NOT FORCE TUBE INTO TRACK**

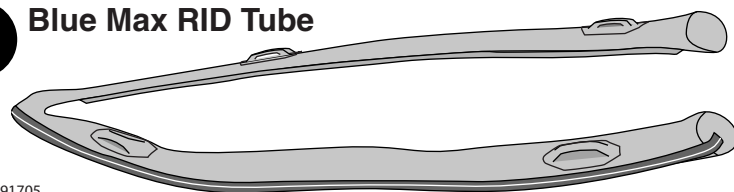


Using the wrench provided in the repair kit, hand tighten valve. **DO NOT OVERTIGHTEN**

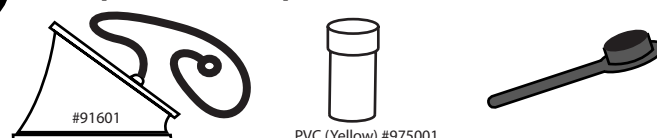


MAX.
PSI. 4.0
bar. 0.28

1 Blue Max RID Tube



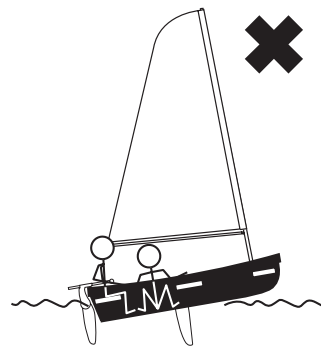
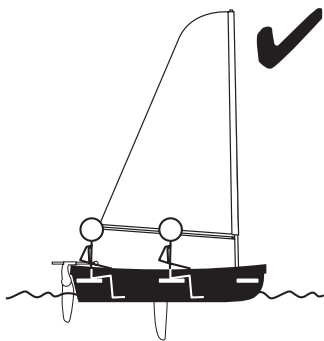
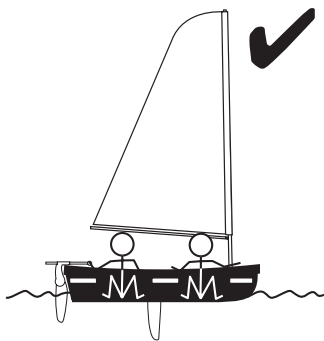
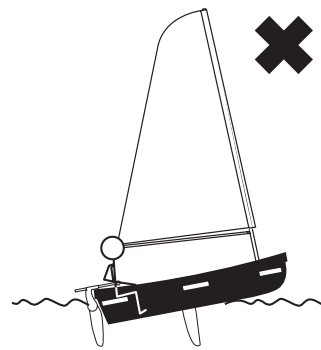
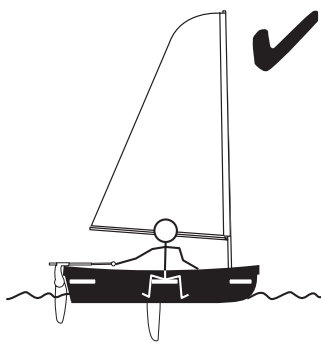
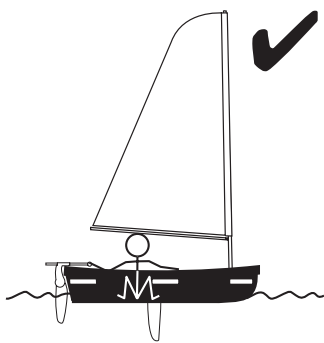
2 Pump, Fabric Repair Kit and Valve Wrench



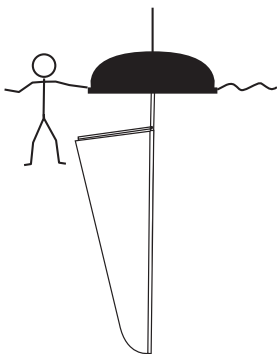
#91601

PVC (Yellow) #975001

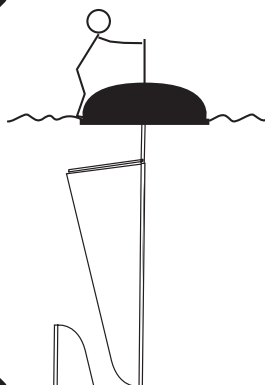
Blue Max #91705



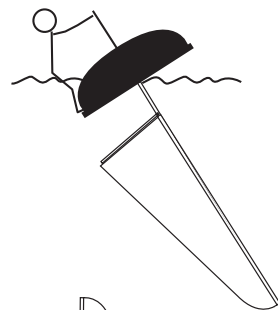
1



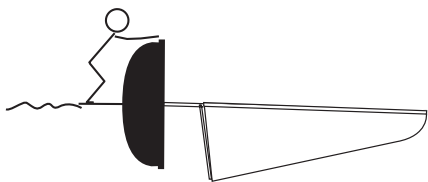
2



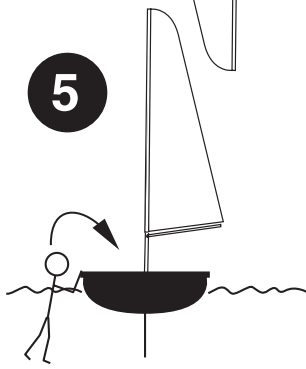
3



4



5



6

