



WALKER BAY®

10 High Performance Sail Kit Assembly Instructions

Sail Kit Part #99131 Instruction Book Part #14041 Rev #SR.01.16.06



PARTS LIST

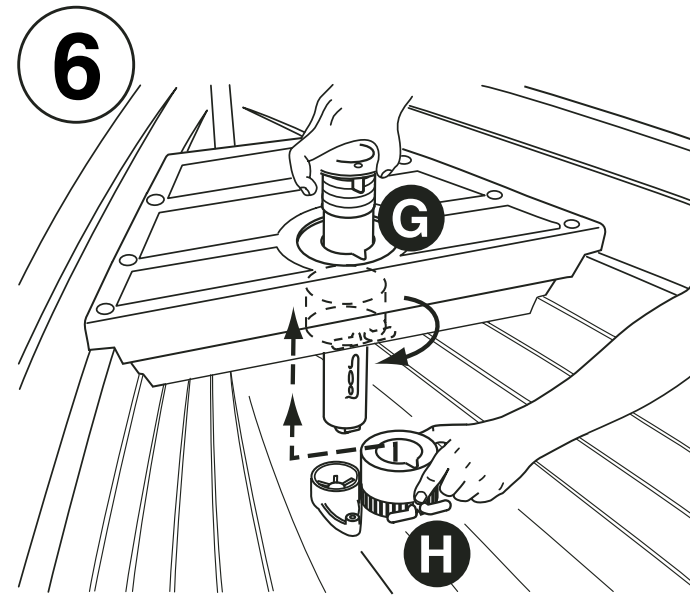
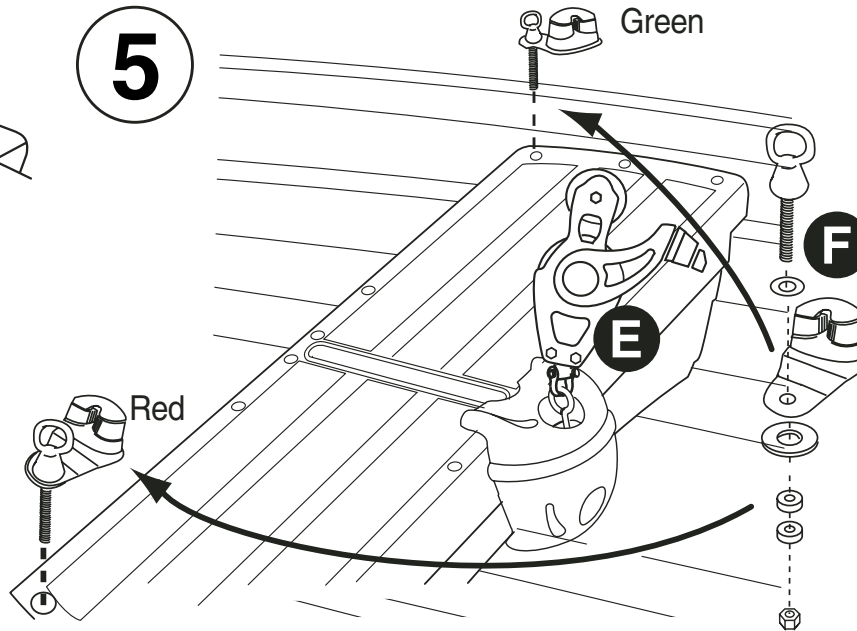
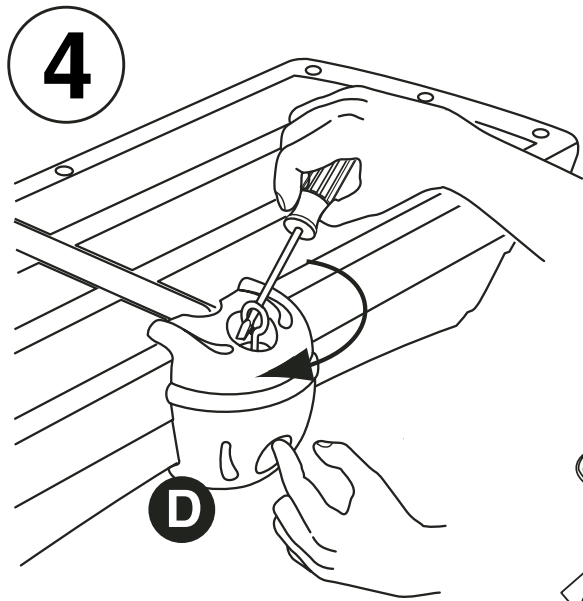
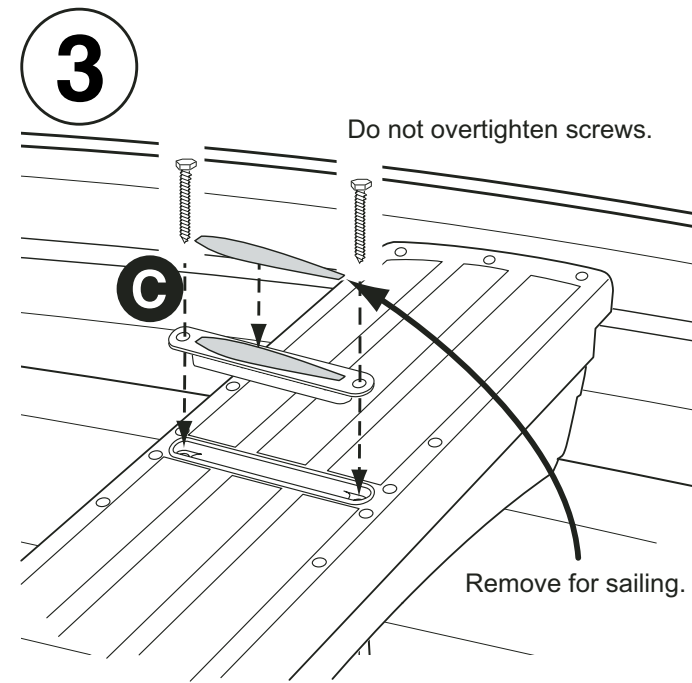
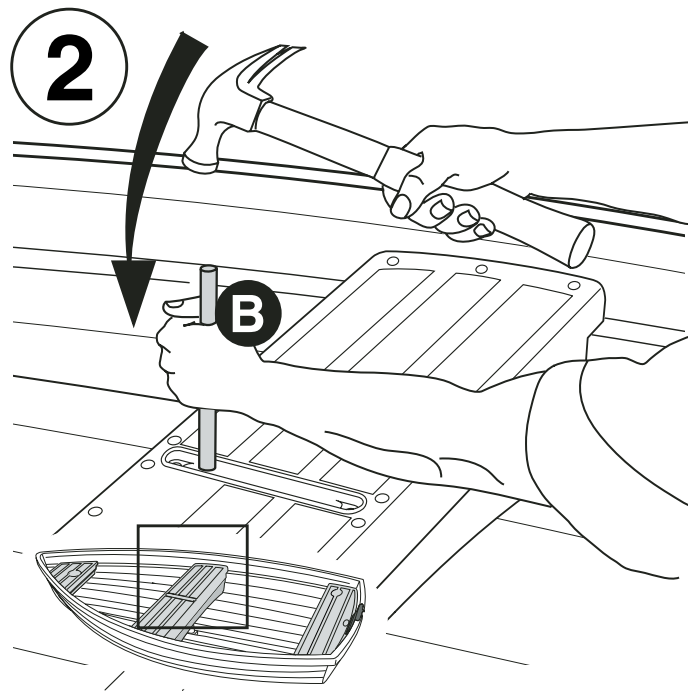
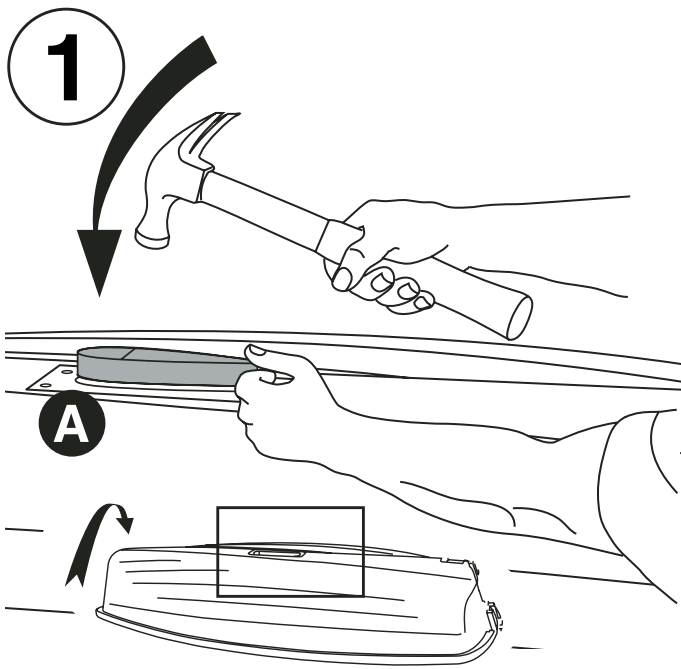
(Specifications and contents subject to change without notice)

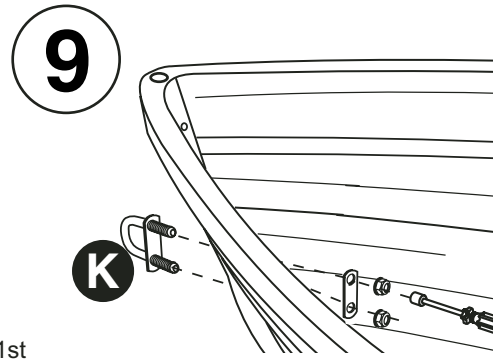
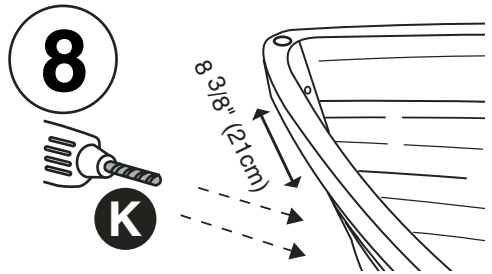
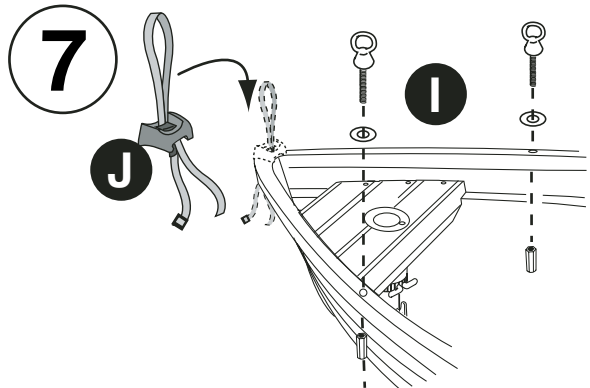
Description	Part #
A. Die Tool	#18132
B. Dowel	#24065
C. Daggerboard Housing Cap w. Screws (#14 x 4")	#26024
D. Seat Block Clamp (w. eye bolt)	#26041
E. Mainsheet Block (w. fiddle and cam)	#17170
F. Jib Cam w. Eyebolt (green/right #26022, red/left #26023)	
G. Mast Support Tube (black)	#18172
H. Mast Support Collar (black)	#18173
I. Stay Eyebolts (w. retainer nut #11054)	#11086
J. Bow Sprit Cup #26025, Webbing #17279	
K. Heavy Duty Bow Eye (w. drill bit 25/64" #11192)	#17217
L. Upper Wing Mast (2.18 m), (w. mast tang)	#24011
M. Lower Wing Mast (2.18 m), (w. horn cleats)	#24021
N. Mast Connector (w. 2 push pins)	#23071
O. Mast Base (w. bow sprit receiver)	#23072
P. Mast Tang Shackle	#17162
Q. Line Kit, 10HP	#23064
1. Front Stay w. Turnbuckle: 157" (4.0 m)	
2. Side Stays w. Turnbuckle: 173" (4.4 m)	
3. Lower Stay w. Snap Hook	
4. Main Halyard w. "S" Hook: 354" (9.0 m) Black	
5. Jib Halyard w. "S" Hook: 256" (6.5 m) White	
6. Outhaul: 63" (1.6 m) Black	
7. Vang (w. cleat): 86" (2.2 m) Black	
8. Jibsheet: 157" (4.0 m) (green/right, red/left)	
9. Mainsheet: 197" (5.0 m) Black	
10. Clew: 21"	
R. Bow Sprit	#26026
S. Sails, High Performance	#17408
1. Main Sail	
2. Jib Sail	
3. Main Sail Straps	
4. Sail Bag	
T. Boom (w. block & becket #23073)	#24002
U. Tiller Handle (telescoping)	#24032
V. Rudder (w. retractable aluminum blade)	#24045
W. Daggerboard 47" (1.2 m) Aluminum	#24056

Walker Bay Boats Inc. 717 Butterfield Rd, Yakima, WA 98901, USA

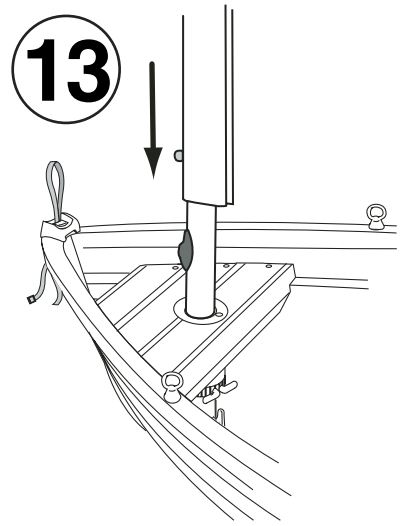
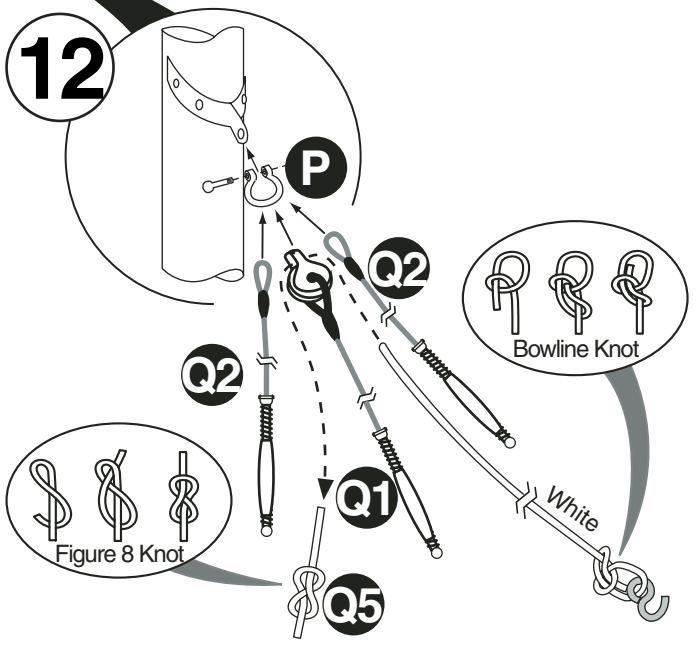
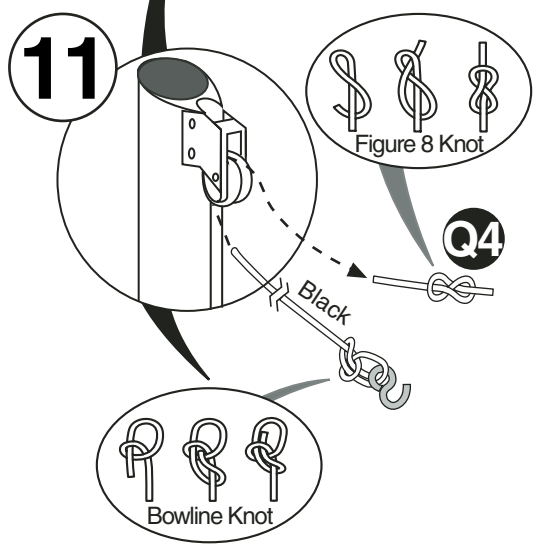
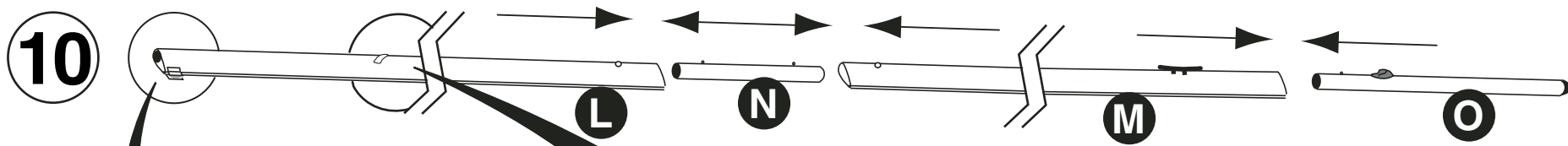
Toll Free Phone (U.S.A & Canada) 1-888-44WALKER (449-2553) or 604-682-5699 Fax (U.S.A & Canada) 1-888-228-7222 or 604-683-1877

web: www.walkerbay.com email: info@walkerbay.com

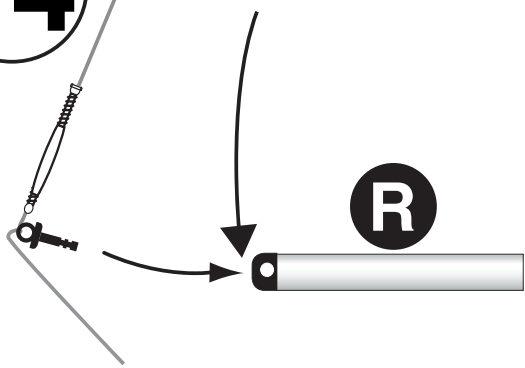




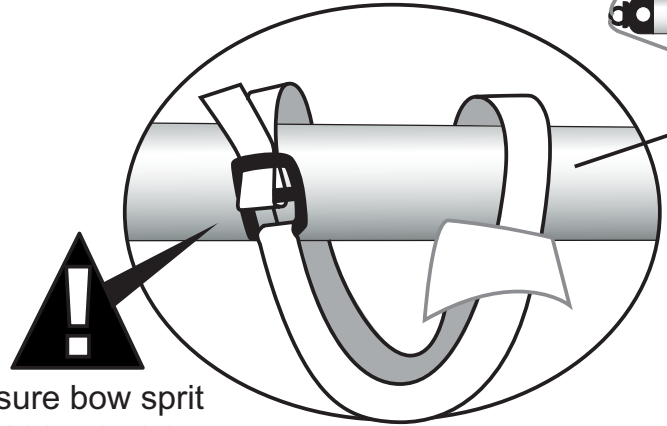
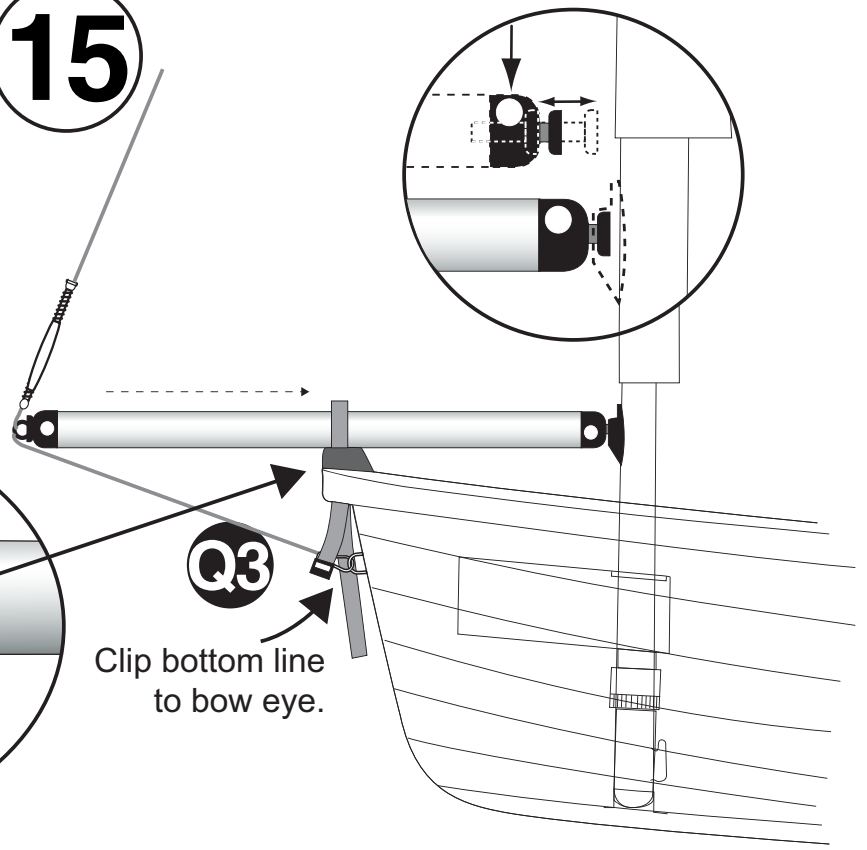
Use bit provided to enlarge lower bow eye holes to accommodate heavy duty bow eye.
 If boat model does not have a lower bow eye, drill 1st hole 8 3/8" (21cm) from gunwale lip along bow line.



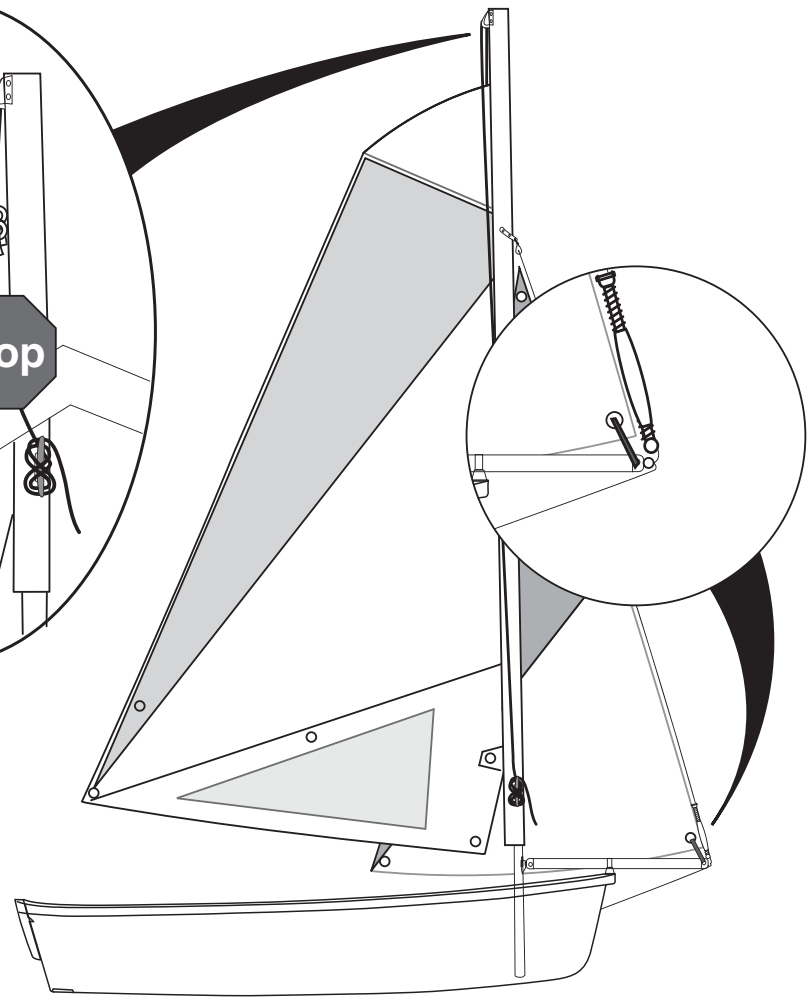
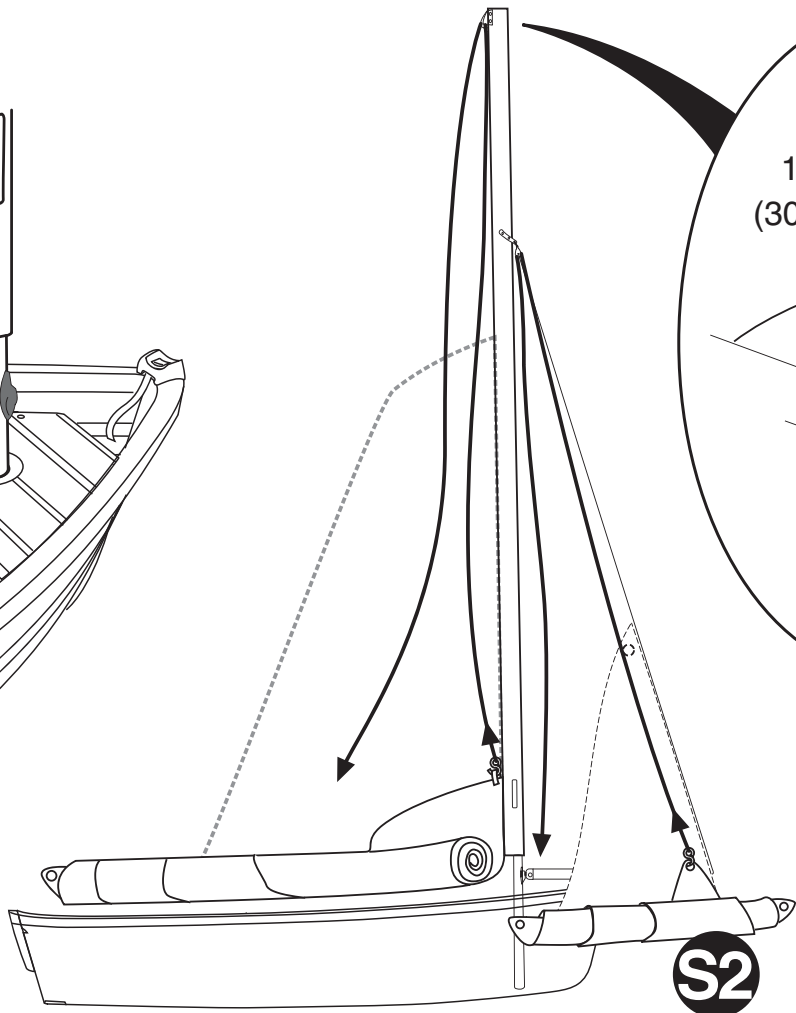
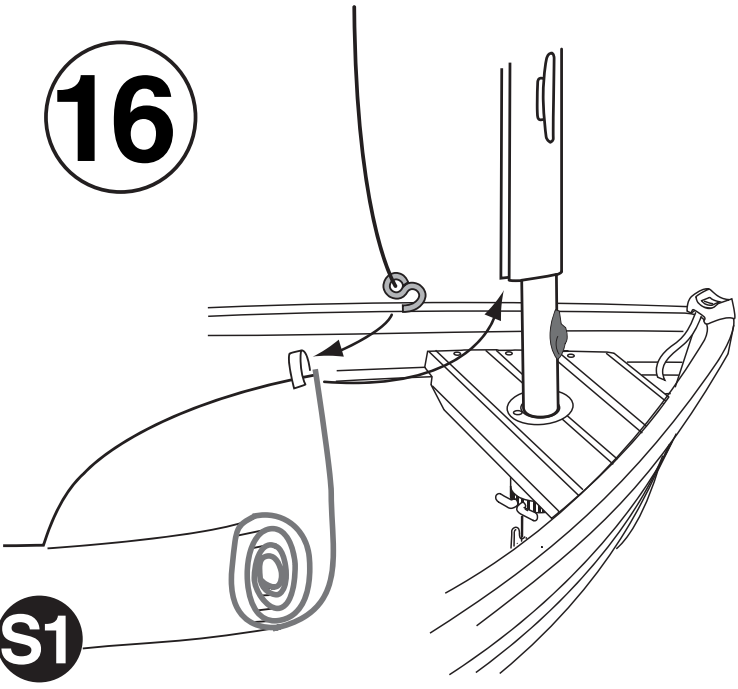
14 Insert mushroom pin with eyebolt into end of bow sprit pole.



15

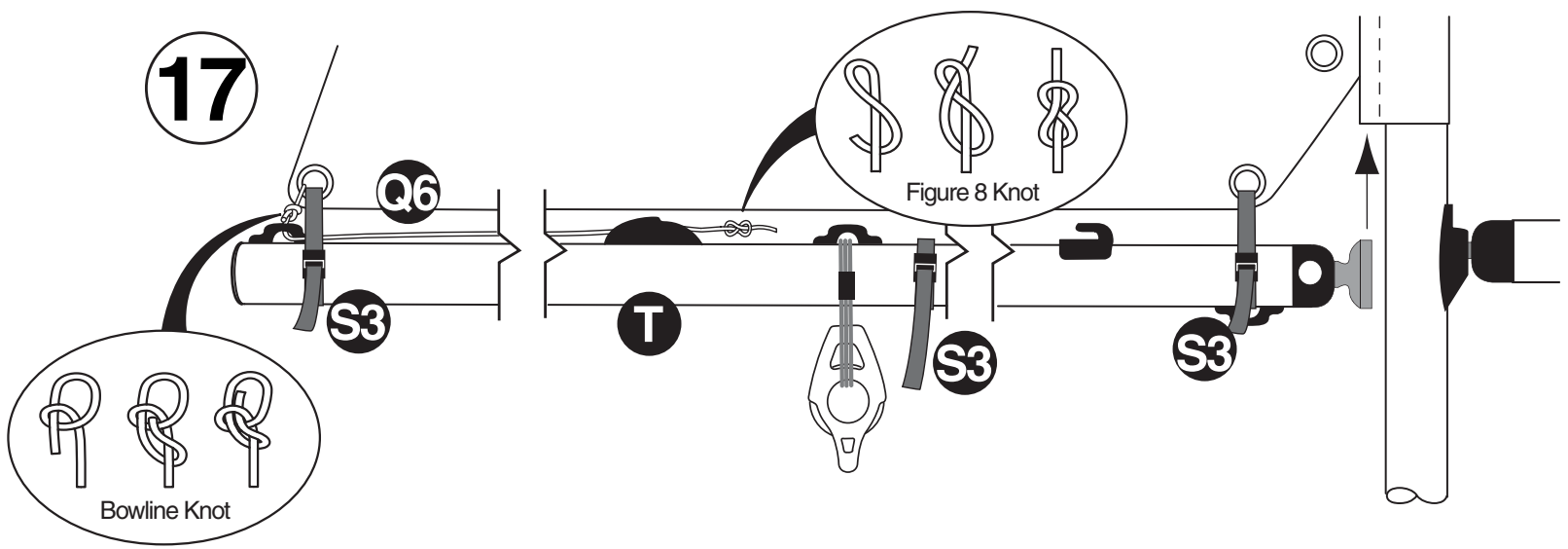


16

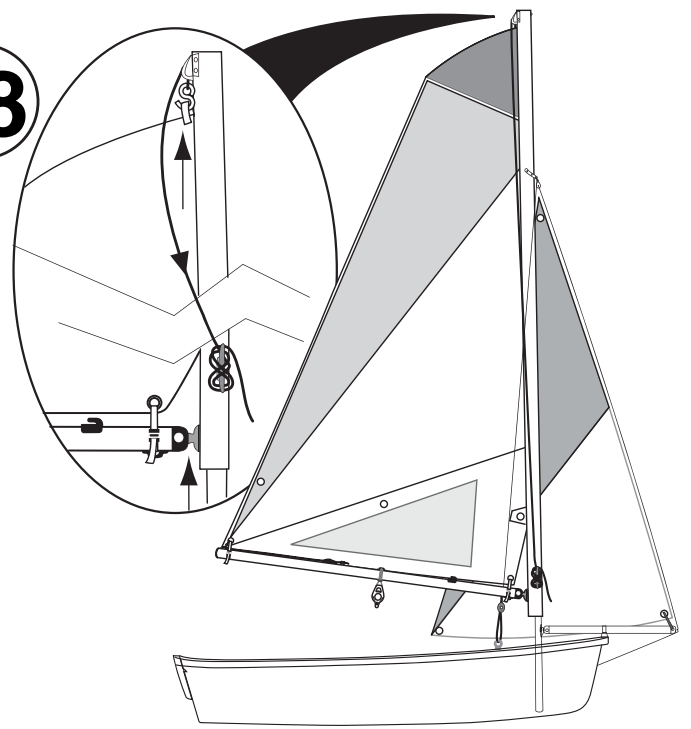


NOTE:
When hoisting sail do not force.
Feed sail into mast track gently.

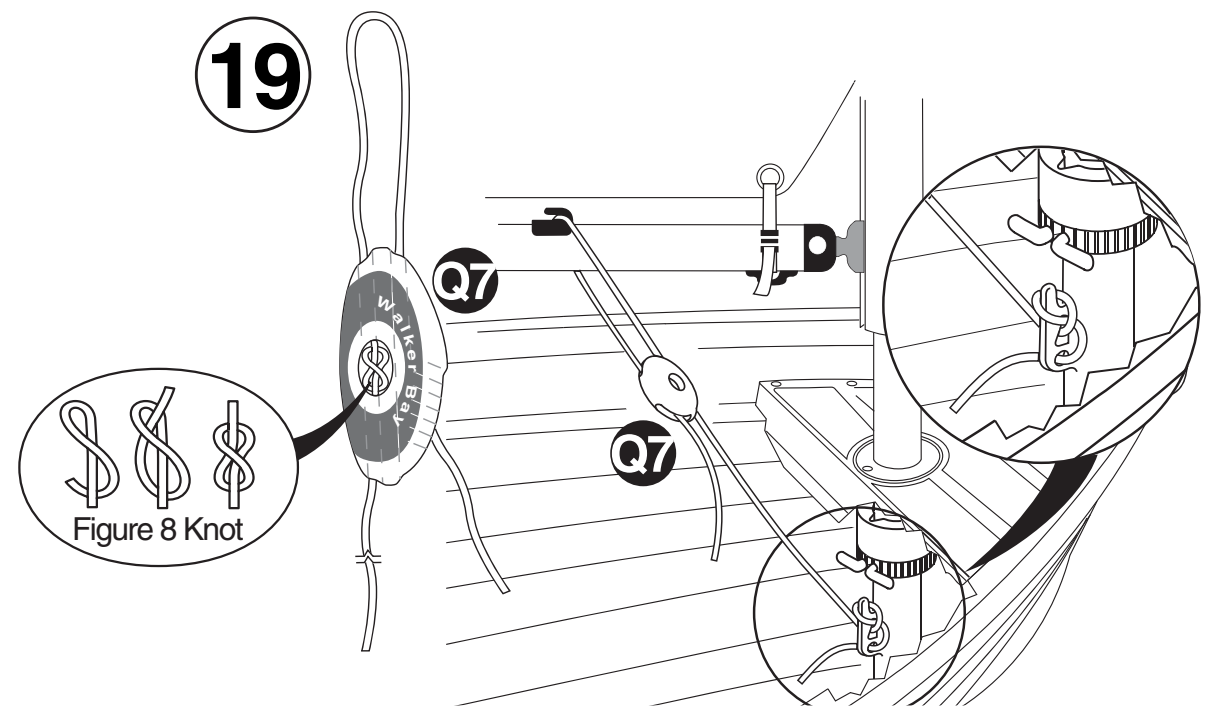
17



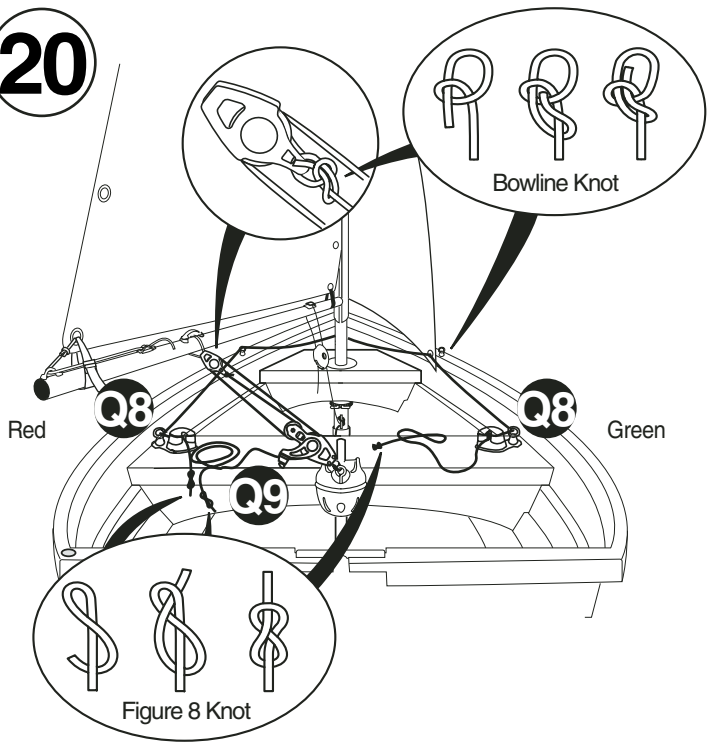
18



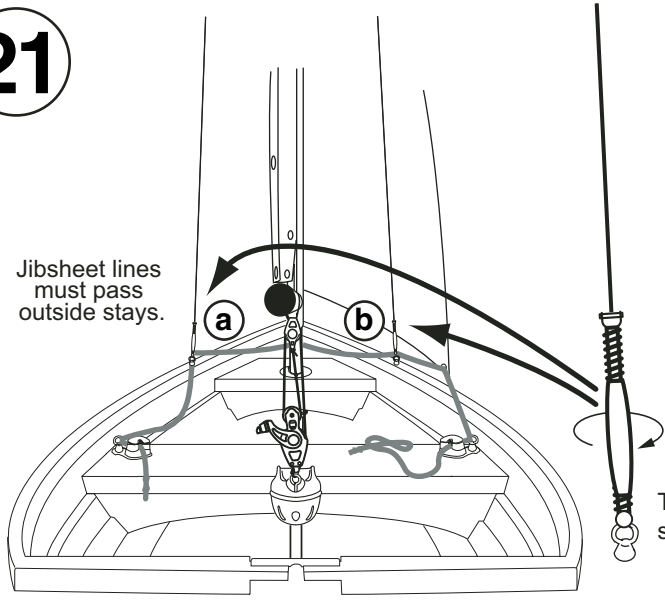
19



20



21

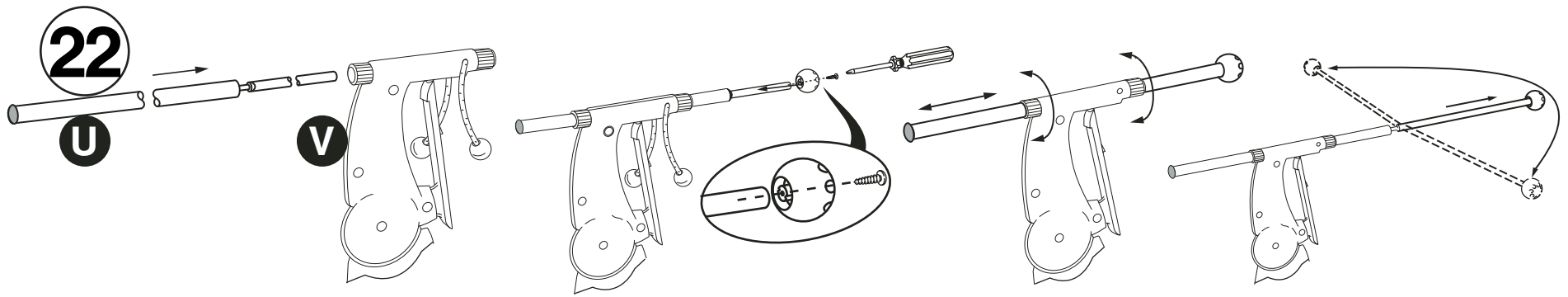


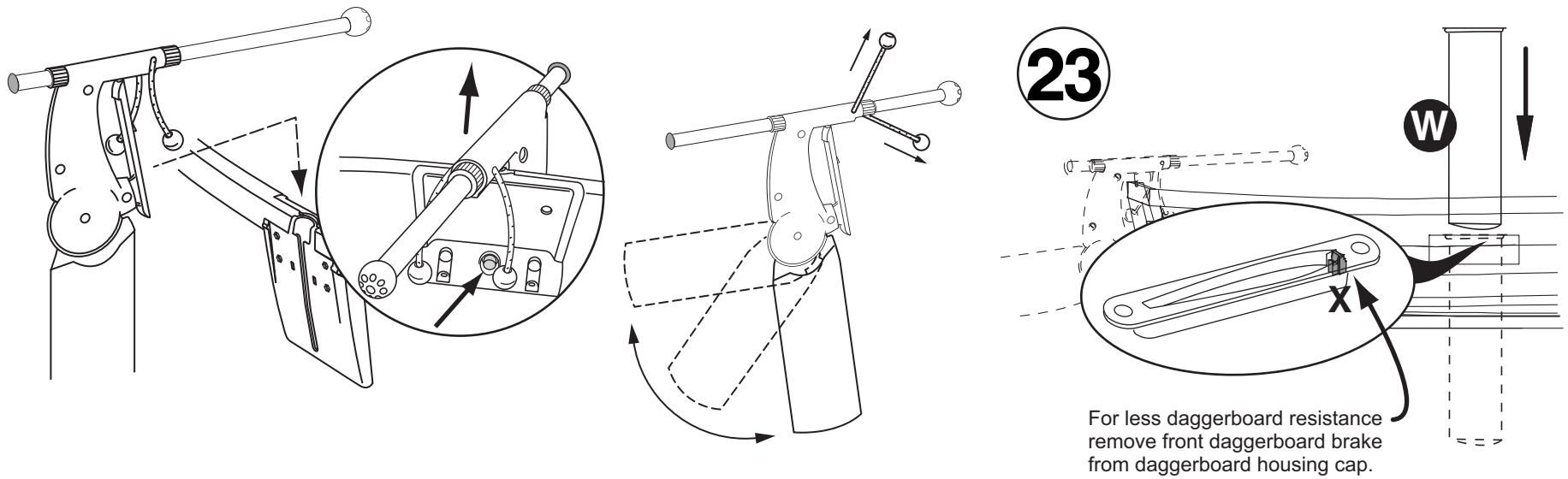
! WARNING

- Stays must be securely fastened when sailing (Leeward/downwind stay will be loose while sailing)
- Do not attempt to sail if stays are not securely fastened.
- Risk of rigging collapsing if stays are not securely fastened.
- Always check condition of rigging before sailing, and service if necessary.

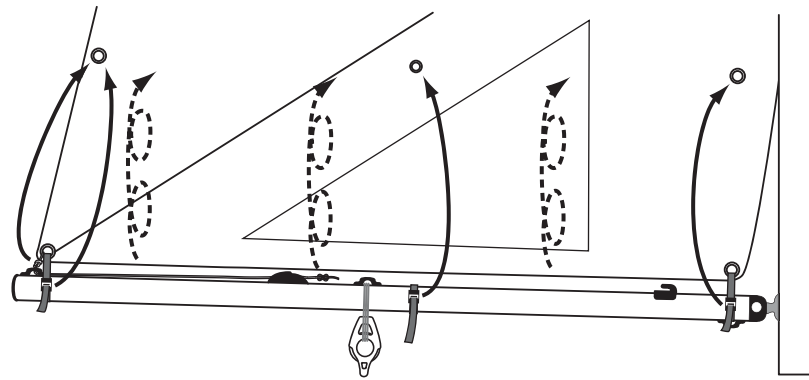
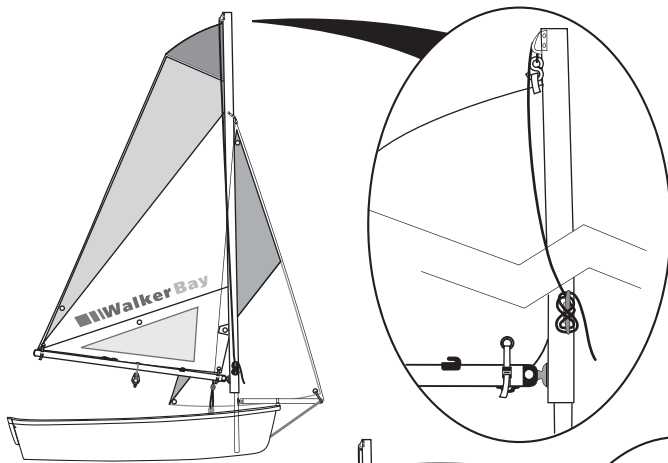
To add necessary tension to the stays tighten with turnbuckle.

22

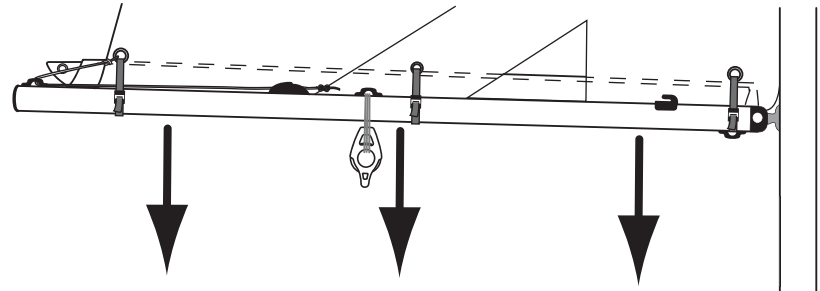
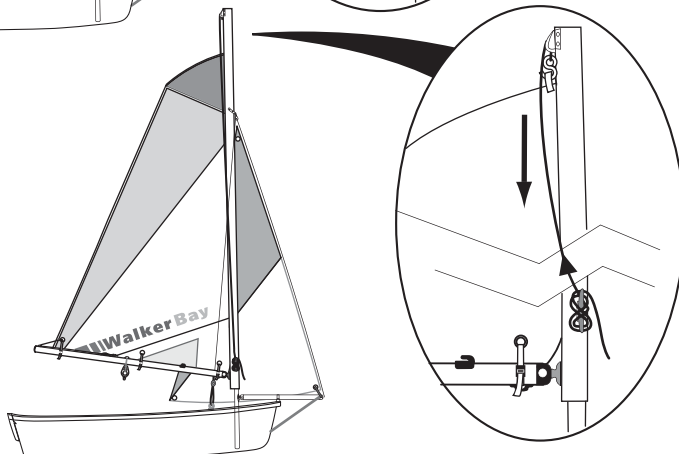




HOW TO ADJUST SAIL SIZE



Raise boom/sail for stronger wind or more head room.
Lower reefed boom/sail for normal use.



WARNING

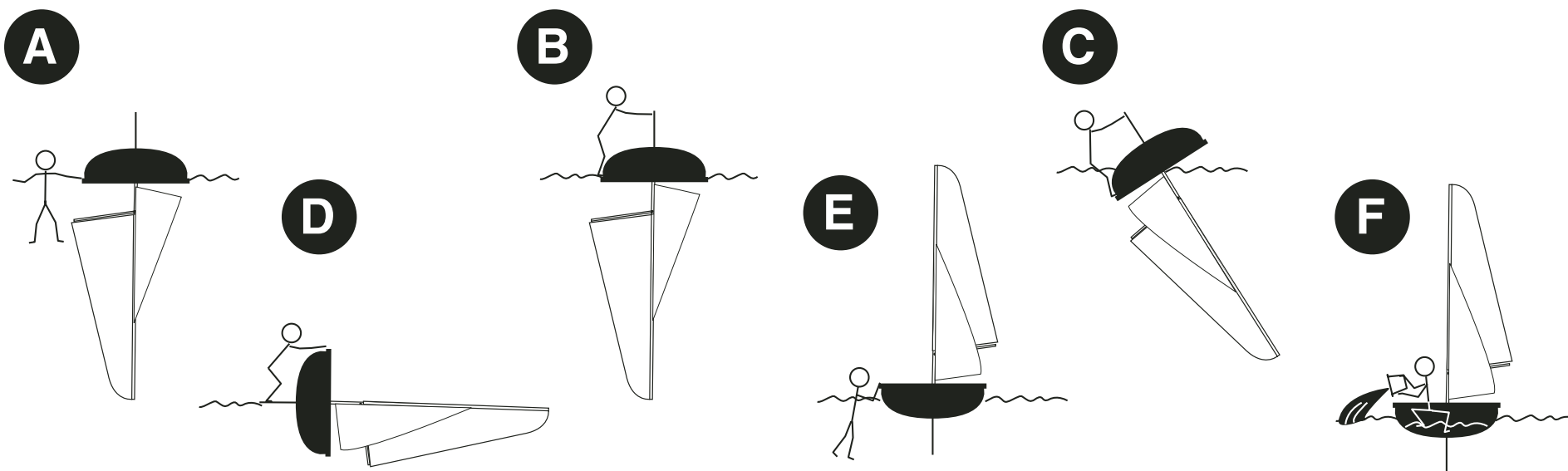
IMPORTANT SAFETY INFORMATION

- READ OWNERS MANUAL. IMPROPER USE MAY CAUSE INJURY OR DEATH.
- EACH PASSENGER MUST HAVE AN APPROVED PERSONAL FLOTATION DEVICE.
- CARRY AN OAR AND BAILER ON BOARD WHILE SAILING.
- USE A BUDDY SYSTEM, SAIL WHERE PEOPLE CAN SEE AND HELP YOU IF NECESSARY.
- DO NOT USE A MOTOR OR SAIL UNLESS YOU USE THE EQUIPMENT IN THE MANNER INTENDED AND/OR AS DESCRIBED IN THE MANUAL.
- DO NOT USE THIS BOAT UNDER THE INFLUENCE OF DRUGS OR ALCOHOL.
- DO NOT USE THIS BOAT IF YOU SUSPECT A CRACK OR A HOLE. IT MAY BE UNSAFE.
- USE CAUTION WHEN ENTERING OR EXITING THE BOAT.
- KEEP YOUR WEIGHT CENTERED AND DISTRIBUTE THE WEIGHT OF GEAR AND PASSENGERS EVENLY.
- DO NOT USE THIS BOAT AS A TOW CRAFT.
- THIS BOAT IS NOT A TOY. ADULT SUPERVISION ADVISED.
- PARTS AND SPECIFICATIONS SUBJECT TO CHANGE WITHOUT NOTICE.
- FOR SAFETY INFORMATION OR PARTS, CALL WALKER BAY BOATS AT:
(888) 44-WALKER OR (604) 682-5699.

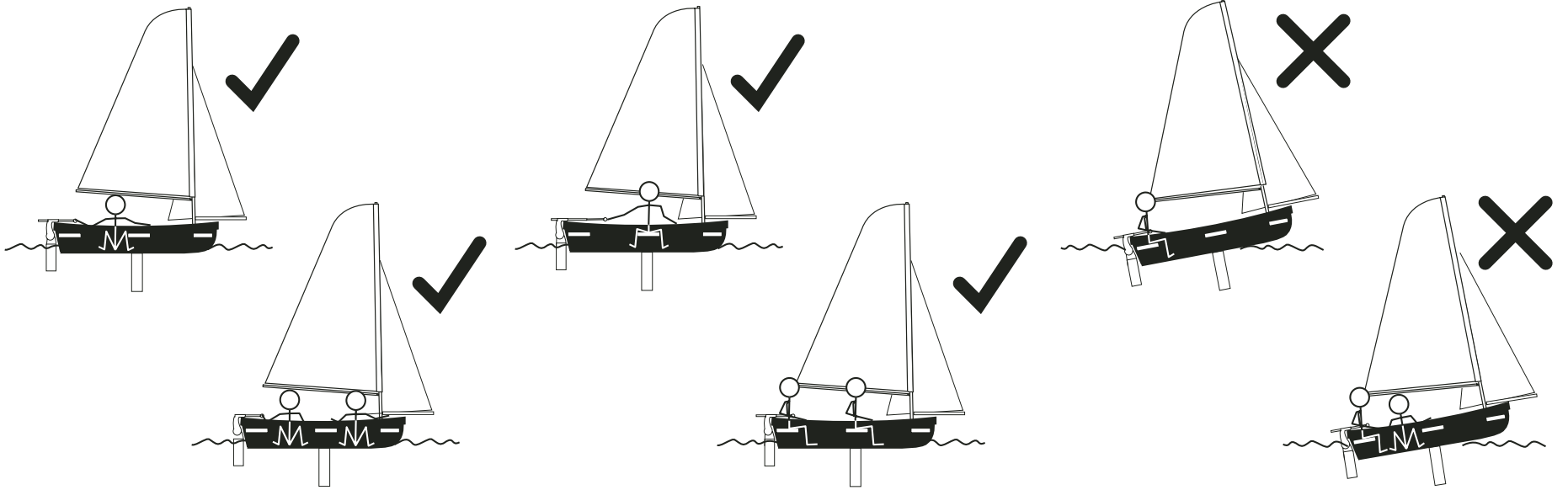
MAINTENANCE AND STORAGE

- After use, especially in salt water, rinse boat, sail, spars and rigging with fresh water.
- Do not use detergents or chemicals to clean sail.
- Roll sails and store inside sail bag.
- Do not store sails wet or damp.
- Avoid unnecessary prolonged exposure of sails to direct sunlight.
- Check rigging before each use, and service if necessary.
- Do not sail boat if stays are not securely fastened in the manner illustrated in these instructions.

RIGHTING YOUR BOAT AFTER CAPSIZE



CORRECT SAILING POSITIONS



CORRECT SAIL TRIM

